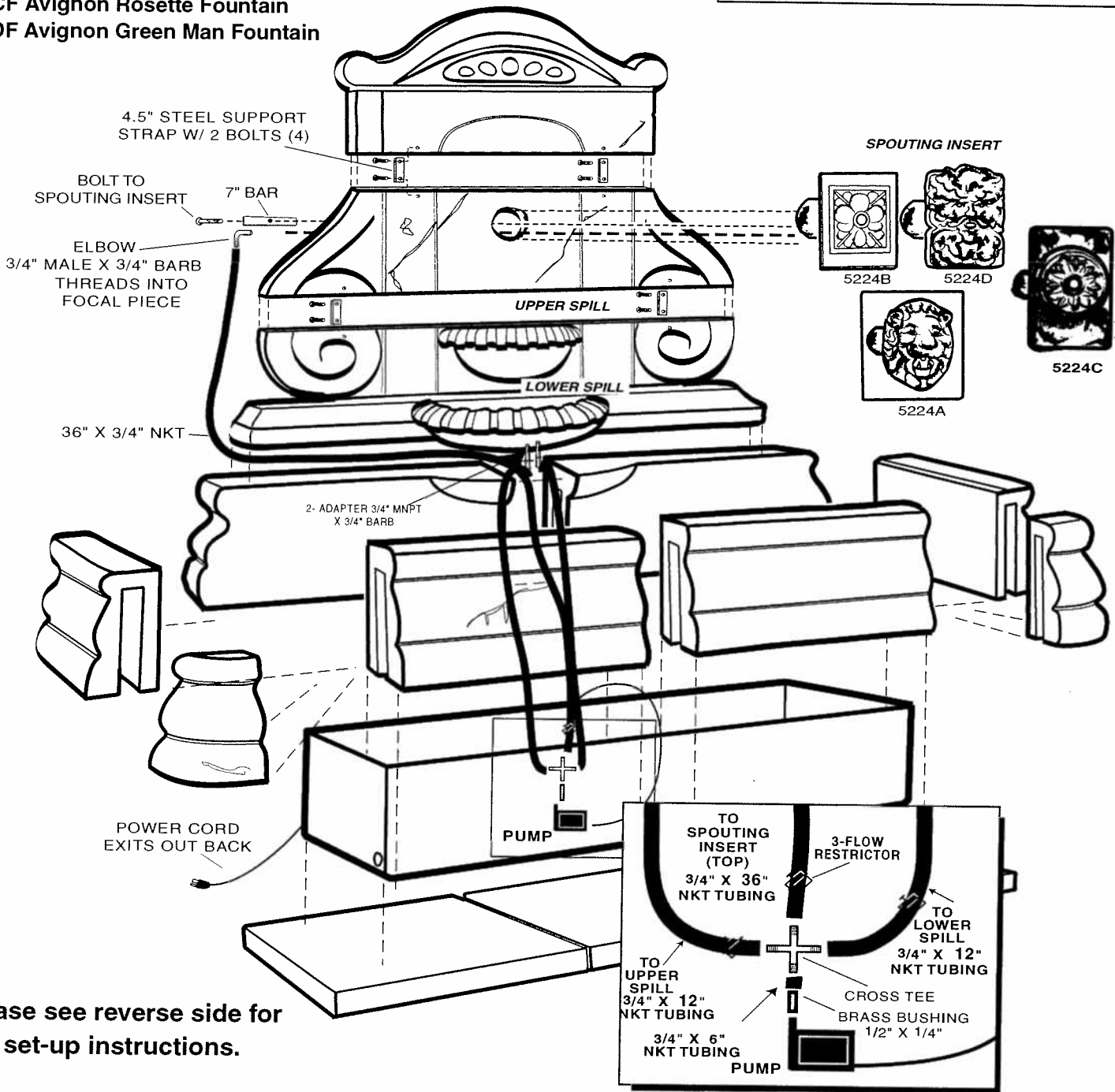


5225AF Avignon Lion Fountain
 5225BF Avignon Fleur de Lys Fountain
 5225CF Avignon Rosette Fountain
 5225DF Avignon Green Man Fountain

For best results, locate a suitable site for your fountain that is level and provides pleasing viewing angles. Note: Always follow local electrical codes and use 110V GFCI protected outlet.



Please see reverse side for set-up instructions.

IMPORTANT- WINTER CARE:

Do not allow water to collect and freeze in fountain bowl(s) or shell. Do not allow fountain pieces to sit in a pool of ice. Disassemble entire fountain and pump and store indoors during the winter season. If you cannot store your fountain indoors during the winter season, you must at least protect it from ice collection or exposure. Protect your fountain during the winter season: first remove the statue(s) and pump, storing them inside if possible. Next, locate the drain plug on the underside of bowl(s) or shell. Remove drain plug to drain any water "trapped" between the walls of the bowl(s) or shell. Then fill the bowl(s) or shell with an absorbent material such as burlap, blankets, etc. Finally, cover the entire fountain with a Henri Fountain Cover. Should condensation droplets form on the inside of the cover, they will be absorbed by the material. By following these simple and sensible precautions during the winter season, you will protect your fountain for years of beauty and enjoyment!

CAUTION: the use of Chlorine or Chlorine Bleach may damage the finish of your fountain. When cleaning your fountain, it is best to test the cleaning agent on an underside or back surface to determine the agents suitability. We recommend the use of a mild, non abrasive detergent. To avoid foaming, thoroughly rinse the fountain to remove all of the cleaning agent.

5225AF, 5225BF, 5225CF, & 5225DF INSTRUCTION

1. Locate a suitable site for your new fountain. Make sure the site is firm and level. You should always follow local electrical codes and use a GFCI protected outlet.
(Several parts of this fountain are very heavy. Make sure you have enough help for a safe assembly.)
2. Set the Fiberglass Basin on prepared site, angled to provide best viewing position.
3. Set the Back Basin Walls. They are to straddle across the back of the Fiberglass Basin. The 6225LB belongs on the left (as you look at your fountain) and the 6225RB belongs on the right.
4. Continue building around the basin by setting one 6225SD Side Basin Wall across each side of the Fiberglass Basin. They should be set flush against the Back Basin Walls.
5. Set the 6225LF (Left) and 6225RF (Right) Front Basin Walls across the front of the Fiberglass Basin. Try to keep them centered in order to provide appropriate room for the next step.
6. Set the 6225LC (Left) and 6225RC (Right) Corner Basin Walls to complete the lower concrete portion of the fountain.
7. Place pump in the reservoir between the Back Basin Walls and back of the Fiberglass Basin. Attach bushing to pump exhaust. Attach 6" tube to bushing and clamp secure. Insert cross tee into tube and clamp. Attach 36" tube to the opposite leg of the tee and clamp. Attach the 12" tubes to open ends of tee and clamp. Slip flow restrictors over each of the three tubes, letting them rest very close to the cross tee. Drape the longest tube and the power cord out the back. The other tubes will be attached from inside the reservoir area.
8. Set the 5225C Scroll Wall Bottom on the Back Basin Walls. Reach under the middle portion lavabo portion and find two couplings. Thread in the two $\frac{3}{4}$ "MNPT x $\frac{3}{4}$ "barb adapters into these couplings. Then, attach the two 12" tubes to these adapters, securing with clamps.
9. Set the 5225B Scroll Wall Middle on the Scroll Wall Bottom. To secure these two pieces together, take note of four small threaded holes at the back of these. Hold the 4.5" long steel straps provided and snugly bolt them into the threaded holes. This should help stabilize these wall pieces.
10. Set the 5225A Scroll Wall Top on the Scroll Wall Middle. Use two more 4.5" straps with bolts to secure them as you did in the last step.
11. Insert the remaining concrete focal piece into the front of the Scroll Wall Middle. Holding it in place, bolt the provided 7" steel strap tightly behind the Scroll Wall Middle to lock it in place. Insert the elbow into the back of the focal piece. Now attach the long tube to the elbow barb and clamp secure.
12. Fill Basin with water. Make sure to always keep water level above the top of the pump. Read pump instructions and plug into GFCI outlet to enjoy your fountain. Tighten flow restrictor as desired to adjust water flow to your taste.

Parts List:

1 – Pump	1 – Tube, 6" x $\frac{3}{4}$ "	4 – Steel Strap, 4.5"
1 – Adapter, 1"MNPT x $\frac{3}{4}$ "Barb	2 – Tube, 12" x $\frac{3}{4}$ "	1 – Steel Strap, 7"
2 – Adapter, $\frac{3}{4}$ "MNPT x $\frac{3}{4}$ "Barb	1 – Tube, 36" x $\frac{3}{4}$ "	9 – Bolt $\frac{3}{8}$ " x 1"
1 – Elbow, $\frac{3}{4}$ "MNPT x $\frac{3}{4}$ "Barb	3 – Flow Restrictors	
1 – Cross Tee, $\frac{3}{4}$ "Barb	8 – Clamps #56	