

PRODUCT SPECIFICATIONS

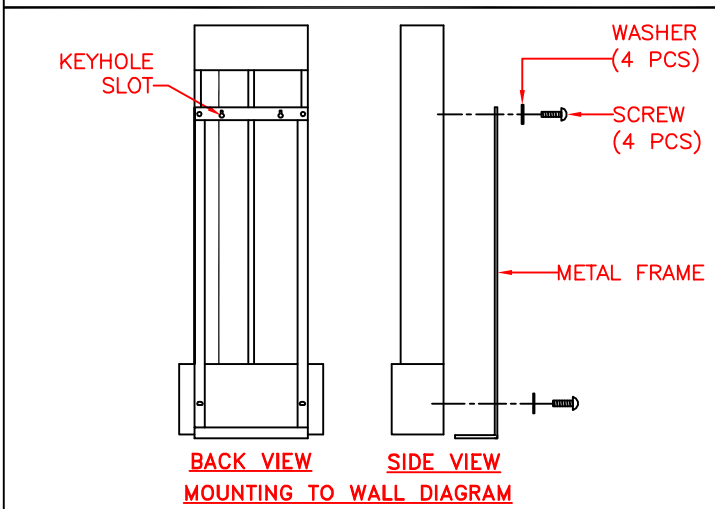
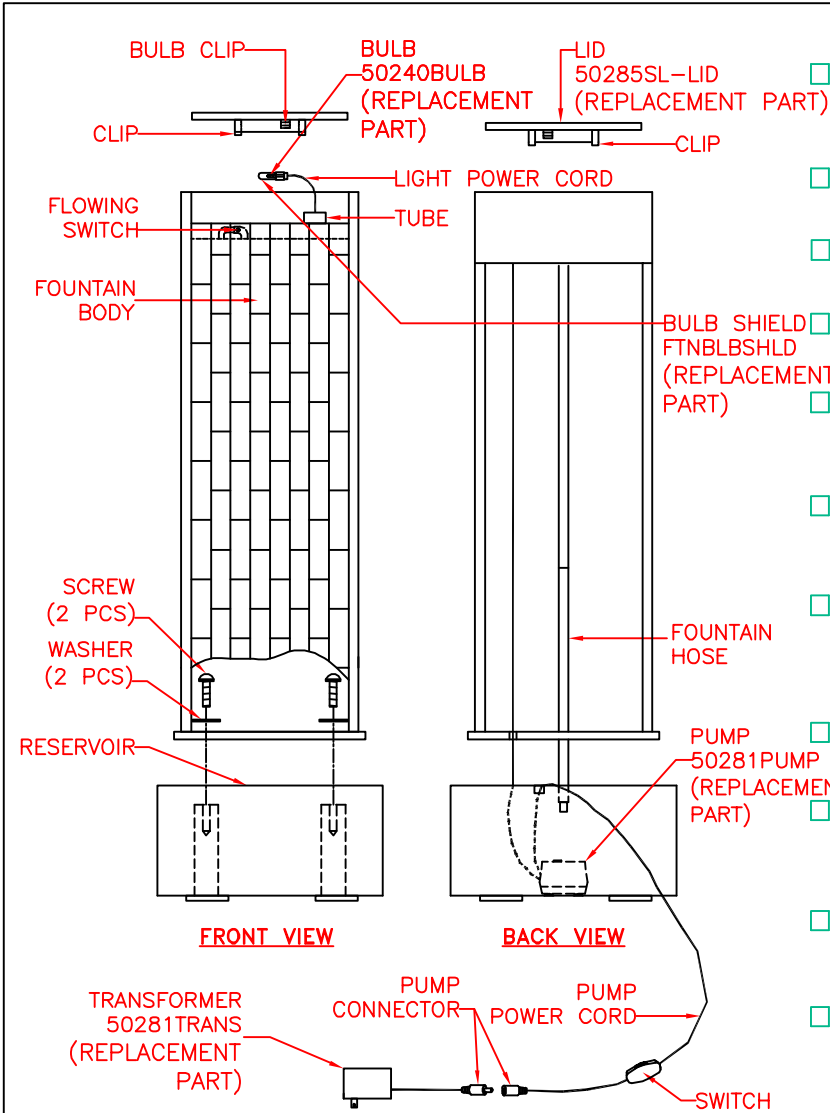
- OVERALL ASSEMBLED DIMENSIONS**
HEIGHT: 81.3 CM (32"), WIDTH: 35.6 (14"),
EXTENSION: 15.2 (6").
- PUMP:** UL LISTED. 12 V, MODEL JP-900L
SUBMERSIBLE FOUNTAIN PUMP.
- TRANSFORMER:** UL LISTED. MODEL: JBA48U-12-1800,
INPUT: 120 V, OUTPUT: 12 V.
- LIGHT:** UL LISTED, 12 V. 10 WATT, JC SUBMERSIBLE
HALOGEN BULB. (2) BULBS INCLUDED.
- FOUNTAIN BODY:** SLATE, WIDTH: 30.5 CM (12"),
HEIGHT: 68.6 CM (27"), EXTENSION: 11.4 CM
(4-1/2"), SHAPED AS SHOWN.
- RESERVOIR:** SLATE, WIDTH: 35.6 CM (14"), HEIGHT:
15.2 CM (6"), EXTENSION: 15.2 CM (6"). PLASTIC
PADS ARE INSTALLED ON BOTTOM OF RESERVOIR.
- CORD:** UL LISTED, FROM PUMP TO CONNECTOR: MIN
183 CM (6 FT.) LENGTH, FROM TRANSFORMER TO
CONNECTOR: MIN 100 CM (3 FT.) LENGTH, BLACK
COLOR. WIRES MUST BE LEAD FREE.
- DECORATIVE STONES:** A BAG OF POLISHED RIVER
STONES (3.1 LBS.) INCLUDED.
- LABELS:** MANUFACTURING DATE, MODEL # AND
COUNTRY OF ORIGIN LABEL PROVIDED.

PACKAGING AND SHIPPING DETAILS

- THE FOUNTAIN AND PUMP ARE CAREFULLY WRAPPED IN
A PLASTIC BAG AND PLACED SECURELY IN THE INNER
PACKING SO THEY CAN NOT MOVE DURING SHIPPING.
- THE CARTON IS MADE OF DOUBLE WALL CORRUGATED
CARDBOARD "A MA A". BROWN IN COLOR. THE INNER
PACKING IS DIE-CUT CARDBOARD AND/OR STYROFOAM
SUFFICIENT TO PROTECT AND SECURE THE FOUNTAIN
AND MUST PASS THE FEDEX DROP TEST
REQUIREMENTS.
- EACH CARTON SHALL BE PRINTED WITH A LINE
DRAWING AND THE KENROY HOME NAME AND LOGO,
MODEL NUMBER, SKU NUMBER AND FINISH, EACH
CARTON SHALL BE PROVIDED A UPC LABEL. THE UPC
BAR CODE AS FOLLOWS: SL=053392002503.

OTHER DETAILS

- MODEL 50285SL INSTRUCTIONS ARE TO BE PACKED
WITH EACH FOUNTAIN. INSTRUCTIONS MUST BE PRINTED
CLEARLY ON QUALITY PAPER.
- ALL VISIBLE PARTS MUST MATCH FOUNTAIN FINISH
UNLESS OTHERWISE SPECIFIED.
- ALL BAGS MUST BE LABELED WITH OFFICIAL "THIS BAG
IS NOT A TOY" STATEMENT.
- ASSEMBLY TIME: 20 MINUTES.
- DIMS OF BOX: 45.7 CM (18") LENGTH x 25.4 CM
(10") WIDTH x 91.4 CM (36") HEIGHT.
- NET WEIGHT: 43 LBS. GROSS WEIGHT: 48.8 LBS.



AVAILABLE PARTS ARE:
50281TRANS (TRANSFORMER)
50281PUMP (PUMP)
50140ROCK (RIVER STONE)

50240BULB (BULB)
FTNBLBSHLD (BULB SHIELD)
50285SL-LID (LID)

**KENROY
HOME**

11660 CENTRAL PARKWAY
JACKSONVILLE, FL. 32224
PHONE: 904-642-4340
FAX: 904-642-4150

THIS DOCUMENT AND THE INFORMATION THAT IT DISCLOSES IS THE EXCLUSIVE
PROPERTY OF KENROY HOME. ANY REPRODUCTION OR USE OF THIS
DRAWING IN PART OR IN WHOLE, WITHOUT THE EXPRESS CONSENT OF THE
PROPRIETOR IS PROHIBITED. © 2005 KENROY HOME.

DATE: 1/31/2005

SCALE: NONE

DRAWN BY: JAMES

REFERENCE:
WATER WALL TABLE/WALL SLATE FOUNTAIN

APPROVAL:

REVISION DATE:
10/20/05 add warning

REVISION DATE:
5/28/08 add parts NO.

REVISION DATE:
7/22/09 change position of switch

REVISION DATE:
7/22/09 change position of keyhole

MODEL #:

50285

FINISHES:

SL

PAGE:

1 OF 1