

PRODUCT SPECIFICATIONS

OVERALL ASSEMBLED DIMENSIONS

HEIGHT: 101 CM (39-3/4"),
LENGTH: 63 CM (24-3/4"), WIDTH: 31.8 CM (12-1/2").

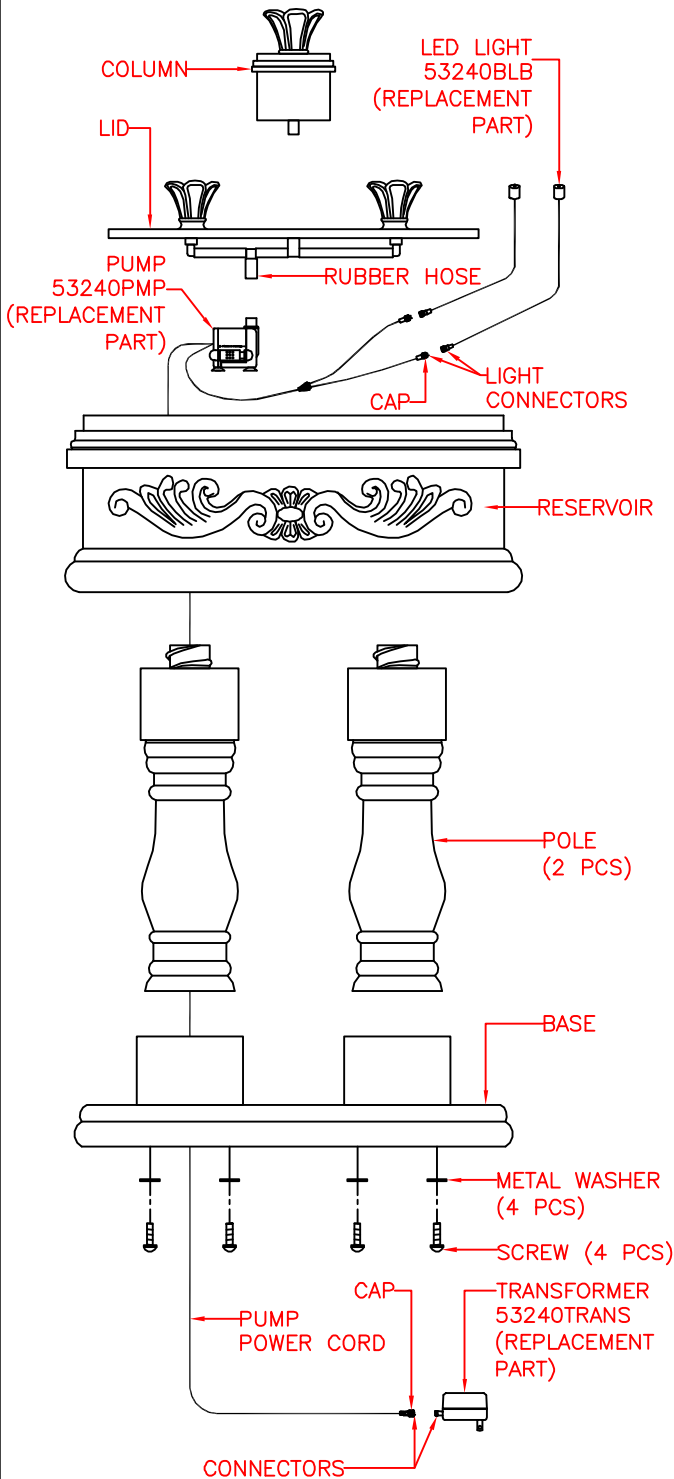
- PUMP:** TP400, SUBMERSIBLE FOUNTAIN PUMP. INPUT: 12 V.
- TRANSFORMER:** UL APPROVED FOR WET LOCATION, INPUT: 120 V. OUT PUT: 12 V.
- COLUMN:** PAINTED RESIN, 11.5 CM (4-1/2") SQ. x 17 CM (6-11/16") HEIGHT. SHAPED AS SHOWN.
- LID:** PAINTED RESIN, 51 CM (20") LENGTH x 21 CM (8-1/4") WIDTH x 8 CM (3-1/8") HEIGHT, SHAPED AS SHOWN.
- RESERVOIR:** PAINTED RESIN. 63 CM (24-3/4") LENGTH x 31.8 CM (12-1/2") WIDTH x 25 CM (10") HEIGHT.
- POLE:** PAINTED RESIN. 13.5 CM (5-5/16") SQ. x 51 CM (20") HEIGHT.
- BASE:** PAINTED RESIN, 60.5 CM (23-13/16") LENGTH x 30 CM (11-13/16") WIDTH x 16 CM (6-5/16") HEIGHT.
- PUMP POWER CORD:** UL LISTED, MIN 3 M (10 FT.) LENGTH, BLACK COLOR. WIRES MUST BE LEAD FREE.
- LABELS:** MANUFACTURING DATE, MODEL # AND COUNTRY OF ORIGIN LABEL PROVIDED.

PACKAGING AND SHIPPING DETAILS

- THE FOUNTAIN AND PUMP ARE CAREFULLY WRAPPED IN A PLASTIC BAG AND PLACED SECURELY IN THE INNER PACKING SO THEY CAN NOT MOVE DURING SHIPPING.
- THE CARTON IS MADE OF DOUBLE WALL CORRUGATED CARDBOARD "A MA A". BROWN IN COLOR. THE INNER PACKING IS DIE-CUT CARDBOARD AND/OR STYROFOAM SUFFICIENT TO PROTECT AND SECURE THE FOUNTAIN AND MUST PASS THE FEDEX DROP TEST REQUIREMENTS.
- EACH CARTON SHALL BE PRINTED WITH A LINE DRAWING AND THE KENROY HOME NAME AND LOGO, MODEL NUMBER, SKU NUMBER AND FINISH, EACH CARTON SHALL BE PROVIDED A UPC LABEL. THE UPC BAR CODE AS FOLLOWS: WS=053392103675.

OTHER DETAILS

- MODEL 53240WS INSTRUCTIONS ARE TO BE PACKED WITH EACH FOUNTAIN. INSTRUCTIONS MUST BE PRINTED CLEARLY ON QUALITY PAPER.
- ALL VISIBLE PARTS MUST MATCH FOUNTAIN FINISH UNLESS OTHERWISE SPECIFIED.
- ALL BAGS MUST BE LABELED WITH OFFICIAL "THIS BAG IS NOT A TOY" STATEMENT.
- ASSEMBLY TIME: 20 MINUTES.
- DIMS OF BOX: 72 CM (28-3/8") LENGTH x 41.3 CM (16-1/4") WIDTH x 58.4 CM (23") HEIGHT.
- NET WEIGHT: 58.3 LBS. GROSS WEIGHT: 62.7 LBS.



AVAILABLE PARTS ARE:
53240PMP (PUMP)
53240TRANS (TRANSFORMER)
53240BLB (LED LIGHT)

**KENROY
HOME**

11660 CENTRAL PARKWAY
JACKSONVILLE, FL. 32224
PHONE: 904-642-4340
FAX: 904-642-4150

THIS DOCUMENT AND THE INFORMATION THAT IT DISCLOSES IS THE EXCLUSIVE PROPERTY OF KENROY HOME. ANY REPRODUCTION OR USE OF THIS DRAWING IN PART OR IN WHOLE, WITHOUT THE EXPRESS CONSENT OF THE PROPRIETOR IS PROHIBITED. © 2009 KENROY HOME.

DATE: 6/1/2009

SCALE: NONE

DRAWN BY: JAMES

REFERENCE:
VERANDA OUTDOOR FLOOR FOUNTAIN

APPROVAL:

REVISION DATE:

REVISION DATE:

REVISION DATE:

REVISION DATE:

MODEL #:

53240

FINISHES:

WS

PAGE: 1 OF 1