

MODEL: 50270

ASSEMBLY INSTRUCTIONS

READ AND SAVE THESE INSTRUCTIONS

UNPACK THE FOUNTAIN

YOU SHOULD HAVE RECEIVED THE FOLLOWING PARTS IN THE PACKAGE: ROOF, UPPER FRAME, (2) UPPER TUBES, (2) LOWER TUBES, (3) PANELS, (2) SMALL SCREWS, (2) LARGE SCREWS, (4) FLAT SCREWS, (4) LARGE WASHERS, (2) LARGE NUTS, (2) CONNECTORS, (2) SMALL NUTS, (4) CAP NUT, LID, RESERVOIR, A BAG OF RIVER STONES, (2) HALOGEN BULBS, TRANSFORMER, SUBMERSIBLE PUMP WITH PUMP HOSE. TO PROTECT THE FINISH, PLACE ALL PARTS ON A SOFT SURFACE.

FOUNTAIN ASSEMBLY

1. SCREW UPPER TUBES TO UPPER FRAME.
2. SCREW LOWER TUBES TO UPPER TUBES.
3. PLACE A LARGE WASHER OVER EACH CONNECTOR AND SCREW THE CONNECTOR TO BOTTOM OF LOWER TUBE AS SHOWN.
4. INSERT NIPPLE OF CONNECTORS THROUGH THE LID THEN SECURE WITH LARGE WASHERS AND LARGE NUTS.
5. ATTACH SLATE PANELS TO UPPER FRAME BY SLIPPING PANELS INTO THE CLIP, ALIGNING THESE SCREWS WITH HOLES IN PANELS AND HOLES IN ROOF, THEN FASTENING WITH SCREWS AND NUTS AS SHOWN.
6. SLIDE BULB INTO BULB CLIP. (PLEASE RETAIN SECOND SUBMERSIBLE HALOGEN BULB FOR FUTURE BULB REPLACEMENT.)
7. ATTACH RUBBER PUMP HOSE WITH CONNECTOR TO PUMP THEN ATTACH THE OTHER END OF THE RUBBER HOSE ON THE SIDE OF THE PIPE.
8. PLACE PUMP FLAT IN RESERVOIR THEN PLACE FOUNTAIN BODY ON TOP OF RESERVOIR AND SECURE WITH (2) SCREWS.
9. PLACE DECORATIVE STONES ON LID.
10. FILL RESERVOIR WITH ENOUGH WATER TO COMPLETELY SUBMERSE PUMP. (DISTILLED WATER IS RECOMMENDED BY US TO REDUCE MINERAL DEPOSITS AND BACTERIA BUILD UP.)
11. JOIN THE CONNECTORS AT TRANSFORMER AND SCREW THE CAP TO CONNECTOR TIGHTLY TOGETHER.
12. PLUG THE POWER CORD INTO SOCKET. YOUR FOUNTAIN IS READY TO USE.

TROUBLE SHOOTING:

1. IF YOUR FOUNTAIN DOES NOT WORK, CHECK PLUG AT THE SOCKET. MAKE SURE THE PLUG IS FULLY AND PROPERLY INSERTED INTO THE WALL OUTLET.
2. NEXT CHECK TO MAKE SURE THE OUTLET IS POWERED.
3. IF THE FOUNTAIN STILL DOES NOT WORK, PLEASE CONTACT YOUR DISTRIBUTOR OR PLACE OF PURCHASE.

SPLASHING DISCLAIMER:

SPLASHING MAY OCCUR WHEN FOUNTAIN IS INITIALLY TURNED ON. PROTECT SURROUNDING SURFACES AS NEEDED.

IMPORTANT PUMP INFORMATION:

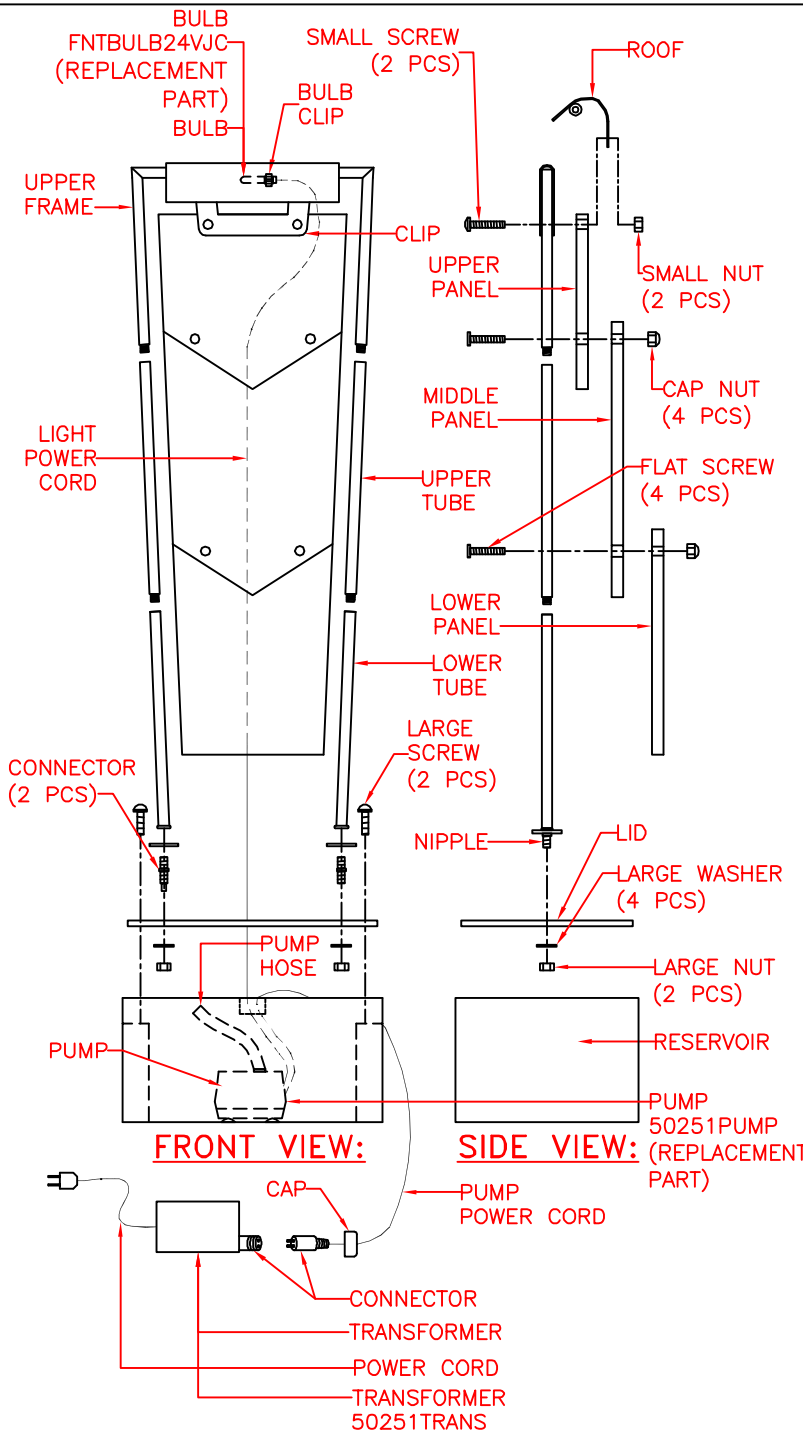
PUMP MUST BE FULLY SUBMERSED IN WATER WHILE OPERATING.

WATER:

TO REDUCE MINERAL DEPOSITS AND BACTERIA BUILD UP THE USE OF DISTILLED WATER IS RECOMMENDED.

WARNING:

ONCE A WEEK INSPECT FOUNTAIN, FLOOR AND ADJACENT WALL FOR MOISTURE BUILD-UP AND CLEAN AS NECESSARY. THIS IS ESPECIALLY IMPORTANT FOR HUMID ENVIRONMENTS.



IMPORTANT NOTES:
MADE FROM GENUINE RAW COPPER, THIS FOUNTAIN WILL NATURALLY AGE OVER TIME TO CREATE A UNIQUE LOOK AND FEEL.

IMPORTANT SAFETY INSTRUCTIONS:

THIS FOUNTAIN HAS A POLARIZED PLUG (ONE BLADE IS WIDER THAN THE OTHER) AS A FEATURE TO REDUCE THE RISK OF ELECTRIC SHOCK. THIS PLUG WILL FIT IN A POLARIZED OUTLET ONLY ONE WAY. IF THE PLUG DOES NOT FIT FULLY IN THE OUTLET, REVERSE THE PLUG. IF IT STILL DOES NOT FIT, CONTACT A QUALIFIED ELECTRICIAN. NEVER USE WITH AN EXTENSION CORD UNLESS PLUG CAN BE FULLY INSERTED. DO NOT ALTER THE PLUG.

AVAILABLE PARTS ARE:
50251TRANS (TRANSFORMER)
50251PUMP (PUMP)
FNTBULB24VJC (BULB)