

MODEL: 50622SL

ASSEMBLY INSTRUCTIONS

READ AND SAVE THESE INSTRUCTIONS

UNPACK THE FOUNTAIN

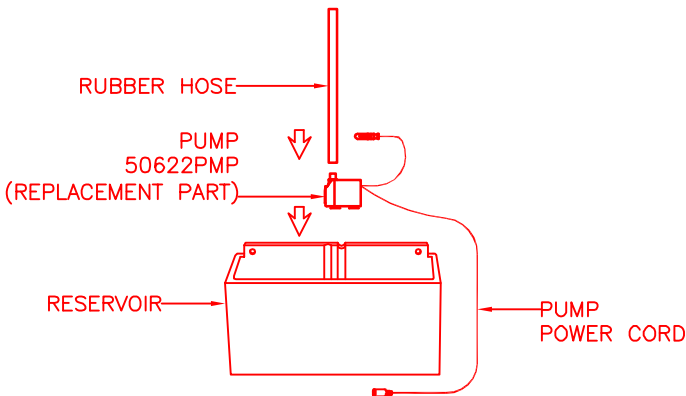
YOU SHOULD HAVE RECEIVED THE FOLLOWING PARTS: FOUNTAIN BODY, RESERVOIR, (2) METAL WASHERS, (2) FLAT SCREWS, SPLASH GUARD, PUMP WITH LIGHT, EXTRA BULB, RUBBER HOSE, CLOCK ASSEMBLY, (2) LONG SCREWS, RUBBER WASHER, METAL PLATE, (4) SMALL SCREWS, PENDULUM, A BAG OF RIVER STONES AND TRANSFORMER.

IMPORTANT:

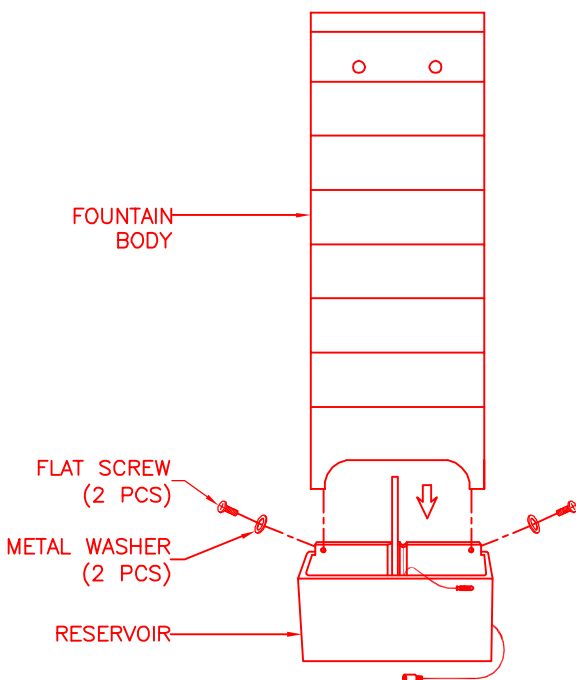
FOUNTAIN MUST BE LEVEL FOR PENDULUM TO SWING PROPERLY. USE LEVELING TOOL TO ASSURE FOUNTAIN IS LEVEL AFTER ASSEMBLY.

FOUNTAIN ASSEMBLY

1. PLACE PUMP FLAT IN RESERVOIR, RUN PUMP POWER CORD UP AND OVER BACK OF RESERVOIR, THEN ATTACH RUBBER HOSE TO THE PUMP.

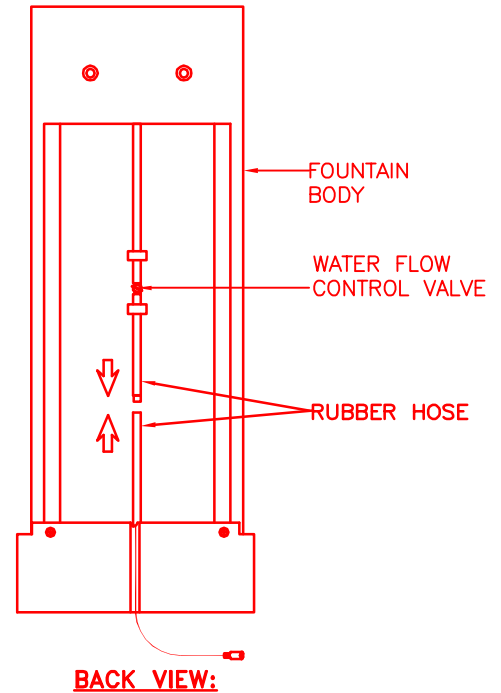


2. PLACE FOUNTAIN BODY INTO RESERVOIR, SECURE THE FOUNTAIN BODY TO RESERVOIR WITH (2) METAL WASHERS AND (2) FLAT SCREWS FROM BACK OF THE RESERVOIR.

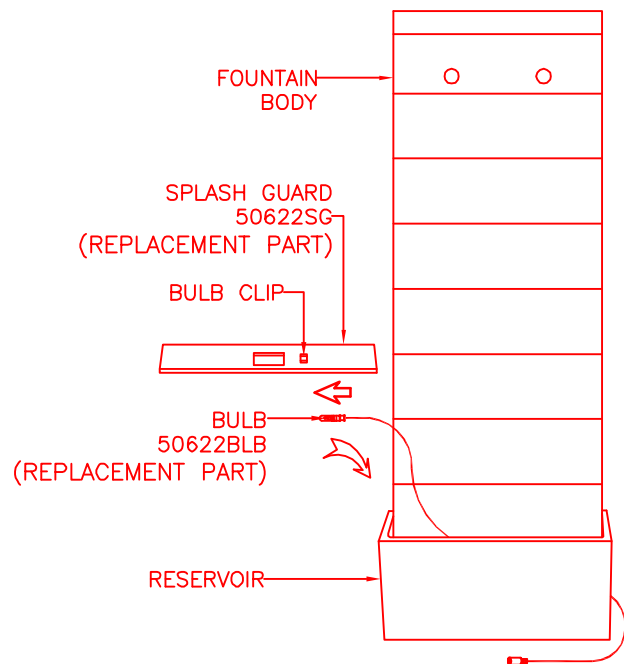


3. JOIN THE RUBBER HOSES TOGETHER FROM BACK OF THE FOUNTAIN BODY.

NOTE: YOU CAN ADJUST THE WATER FLOW CONTROL VALVE TO CONTROL THE SPEED OF THE WATER FLOW.



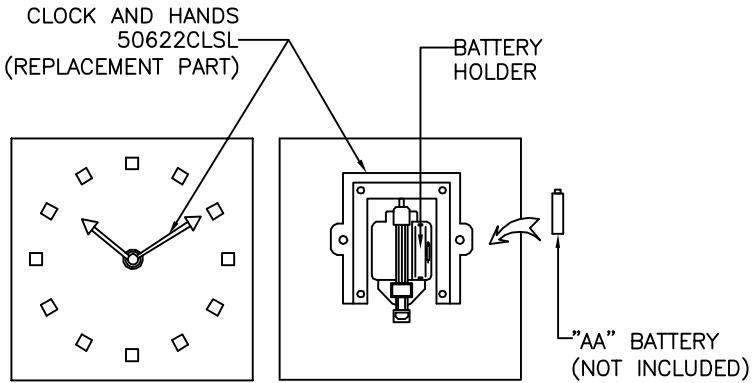
4. INSERT THE BULB INTO BULB CLIP ON BOTTOM OF SPLASH GUARD, THEN PLACE SPLASH GUARD INTO RESERVOIR.



MODEL: 50622SL
ASSEMBLY INSTRUCTIONS
 READ AND SAVE THESE INSTRUCTIONS

FOUNTAIN ASSEMBLY

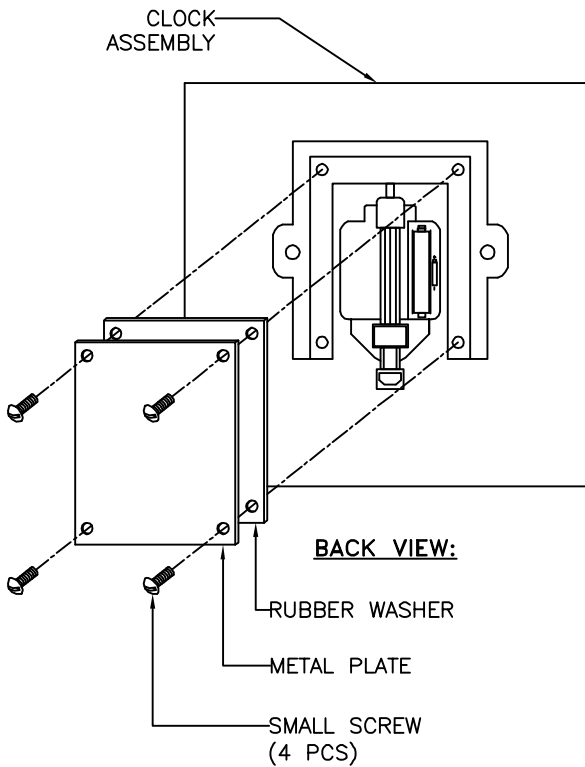
5. INSTALL A "AA" BATTERY (NOT INCLUDED) INTO BATTERY HOLDER.



FRONT VIEW:

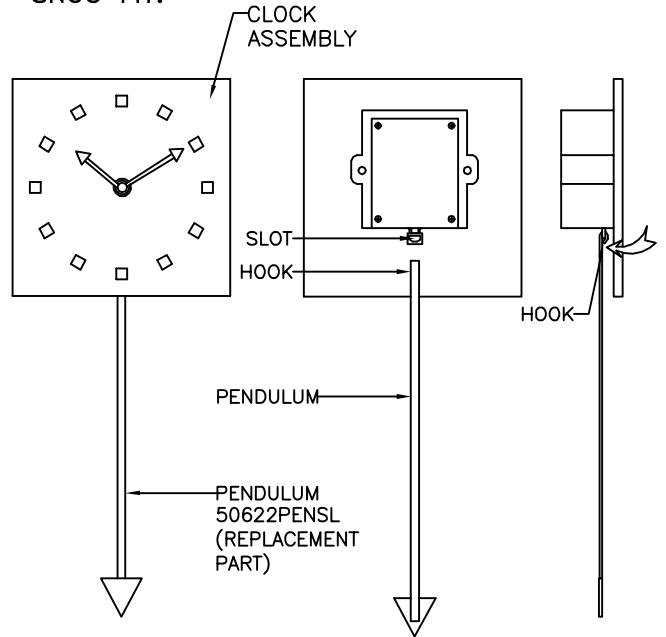
BACK VIEW:

6. SECURE RUBBER WASHER AND METAL PLATE TO BACK OF THE CLOCK ASSEMBLY WITH (4) SMALL SCREWS.



BACK VIEW:

7. ATTACH PENDULUM TO THE SLOT. AFTER ATTACHING, CRIMP HOOK SLIGHTLY TO ASSURE SNUG FIT.

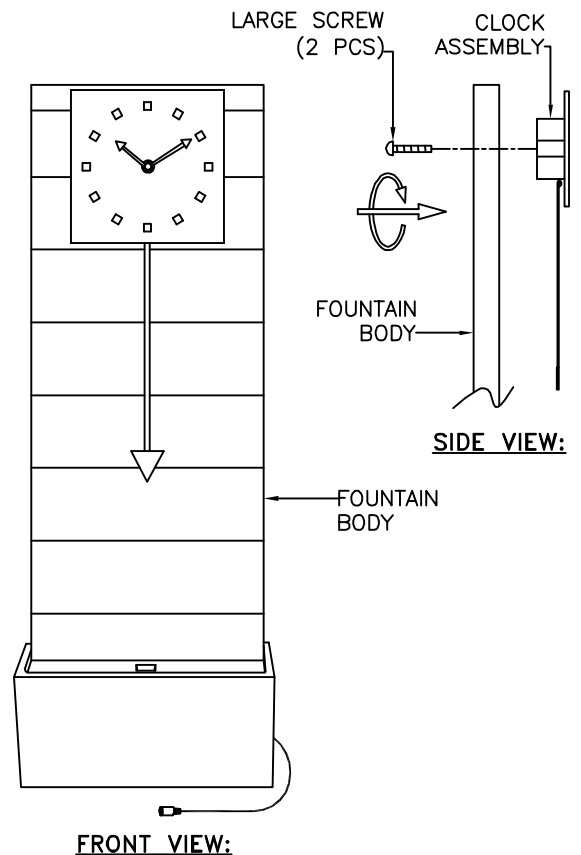


FRONT VIEW:

BACK VIEW:

SIDE VIEW:

8. ATTACH CLOCK ASSEMBLY TO FOUNTAIN BODY AND SECURE WITH (2) LONG SCREWS FROM BACK OF THE FOUNTAIN BODY.



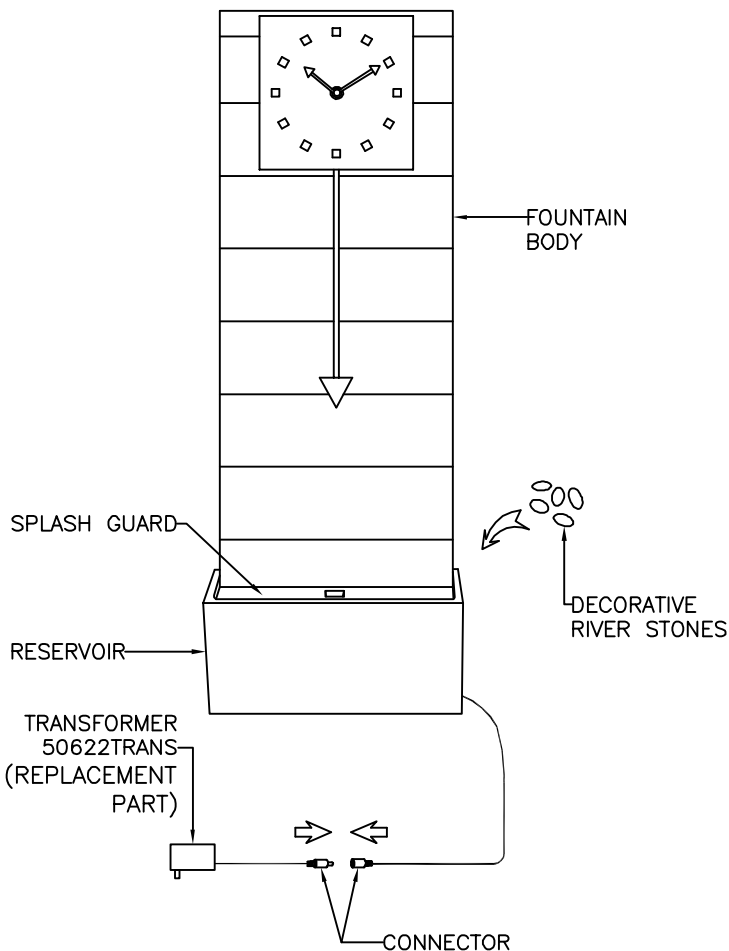
FRONT VIEW:

SIDE VIEW:

MODEL: 50622SL
ASSEMBLY INSTRUCTIONS
READ AND SAVE THESE INSTRUCTIONS

FOUNTAIN ASSEMBLY

9. PLACE DECORATIVE RIVER STONES ONTO TOP OF SPLASH GUARD.



10. FILL RESERVOIR WITH 0.4 GALLONS OF WATER TO COMPLETELY SUBMERSE THE PUMP.

NOTE: DISTILLED WATER IS RECOMMENDED TO REDUCE MINERAL DEPOSITS AND BACTERIA BUILD-UP.

11. JOIN THE CONNECTORS TOGETHER.

12. PLUG TRANSFORMER INTO OUTLET, YOUR NEW FOUNTAIN IS READY FOR USE.

TROUBLE SHOOTING:

1. IF YOUR FOUNTAIN DOES NOT WORK, CHECK PLUG AT THE SOCKET. MAKE SURE THE PLUG IS FULLY AND PROPERLY INSERTED INTO THE WALL OUTLET.

2. NEXT CHECK TO MAKE SURE THE OUTLET IS POWERED.

3. IF THE FOUNTAIN STILL DOES NOT WORK, **DO NOT RETURN TO RETAILER. CALL CUSTOMERS SERVICE AT 1-904-642-4340 #228 FOR A QUICK RESOLUTION TO YOUR PROBLEM.**

4. IF THE CLOCK ISN'T WORKING PERFECTLY, PLEASE MAKE SURE THE BATTERY IS NEW AND IN CORRECT POSITION.

5. TO REPLACE BATTERY, REMOVE THE CLOCK ASSEMBLY FROM THE FOUNTAIN BY UNSCREWING (2) LONG SCREWS, REMOVE METAL PLATE AND RUBBER WASHER FROM THE CLOCK ASSEMBLY BY UNSCREWING (4) SMALL SCREWS, REPLACE THE BATTERY WITH FRESH BATTERY, THEN REVERSE THE PROCESS TO ASSEMBLE THE CLOCK.

6. IF YOU HAVE ANY PROBLEMS OR ISSUES WITH THE CLOCK, REPLACEMENT PARTS ARE AVAILABLE IMMEDIATELY, AT NO CHARGE. PLEASE CONTACT CUSTOMER SERVICE AT **1-904-642-4340 #228** FOR A QUICK RESOLUTION TO YOUR PROBLEM.

SPLASHING DISCLAIMER:

SPLASHING MAY OCCUR WHEN FOUNTAIN IS INITIALLY TURNED ON. PROTECT SURROUNDING SURFACES AS NEEDED.

IMPORTANT PUMP INFORMATION:

PUMP MUST BE FULLY SUBMERSED IN WATER WHILE OPERATING.

WATER:

TO REDUCE MINERAL DEPOSITS AND BACTERIA BUILD UP THE USE OF DISTILLED WATER IS RECOMMENDED.

WARNING:

* ONCE A WEEK INSPECT FOUNTAIN, FLOOR AND ADJACENT WALL FOR MOISTURE BUILD-UP AND CLEAN AS NECESSARY. THIS IS ESPECIALLY IMPORTANT FOR HUMID ENVIRONMENTS.

** THIS FOUNTAIN IS RATED FOR INDOOR USE ONLY.

*** THIS UNIT MUST BE CONNECTED TO A SUPPLY CIRCUIT THAT IS PROTECTED BY A GROUND FAULT CIRCUIT INTERRUPTER (GFCI). THE GFCI SHOULD BE TESTED ON A ROUTINE BASIS. TO TEST THE GFCI, PUSH THE TEST BUTTON. THE GFCI SHOULD INTERRUPT POWER. PUSH THE RESET BUTTON. POWER SHOULD BE RESTORED. IF THE GFCI FAILS TO OPERATE IN THIS MANNER, THE GFCI IS DEFECTIVE.

AVAILABLE PARTS ARE:

50622PMP (PUMP)
50622TRANS (TRANSFORMER)
50622SG (SPLASH GUARD)
50622CLSL (CLOCK AND HANDS)
50622PENSL (PENDULUM)
50622BLB (BULB)