

MODEL: 50294

ASSEMBLY INSTRUCTIONS

READ AND SAVE THESE INSTRUCTIONS
UNPACK THE FOUNTAIN

YOU SHOULD HAVE RECEIVED THE FOLLOWING PARTS IN THE PACKAGE: UPPER LID, FOUNTAIN BODY, (2) MR-11 BULBS, LOWER LID, TRANSFORMER, SUBMERSIBLE PUMP, RESERVOIR, FRAME, A BAG OF RIVER STONES, (4) WASHERS AND (4) SCREWS. TO PROTECT THE FINISH, PLACE ALL PARTS ON A SOFT SURFACE.

FOUNTAIN ASSEMBLY

1. PLACE BULB INTO BULB HOLDER AS SHOWN. (FREE REPLACEMENT BULB INCLUDED)
2. ATTACH FOUNTAIN HOSE TO SUBMERSIBLE PUMP AND PLACE PUMP FLAT IN RESERVOIR.
3. PLACE FOUNTAIN BODY INTO RESERVOIR, THEN SECURE WITH (2) WASHERS AND (2) SCREWS.
4. PLACE THE UPPER LID ON FOUNTAIN BODY, THEN SECURE WITH (2) WASHERS AND (2) SCREWS.
5. PLACE THE LOWER LID INTO RESERVOIR.
6. PLACE FRAME ON RESERVOIR.
7. PLACE RIVER STONE ON LOWER LID.
8. FILL RESERVOIR WITH ENOUGH WATER TO COMPLETELY SUBMERSE PUMP. (DISTILLED WATER IS RECOMMENDED BY US TO REDUCE MINERAL DEPOSITS AND BACTERIA BUILD-UP.)
9. JOIN THE CONNECTORS AT TRANSFORMER AND SCREW THE CAP TO CONNECTOR TIGHTLY TOGETHER.
10. PLUG THE POWER CORD INTO SOCKET. YOUR FOUNTAIN IS READY TO USE.

TROUBLE SHOOTING:

1. IF YOUR FOUNTAIN DOES NOT WORK, CHECK PLUG AT THE SOCKET. MAKE SURE THE PLUG IS FULLY AND PROPERLY INSERTED INTO THE WALL OUTLET.
2. NEXT CHECK TO MAKE SURE THE OUTLET IS POWERED.
3. IF THE FOUNTAIN STILL DOES NOT WORK, PLEASE CONTACT YOUR DISTRIBUTOR OR PLACE OF PURCHASE.

SPLASHING DISCLAIMER:

SPLASHING MAY OCCUR WHEN FOUNTAIN IS INITIALLY TURNED ON. PROTECT SURROUNDING SURFACES AS NEEDED.

IMPORTANT PUMP INFORMATION:

PUMP MUST BE FULLY SUBMERSED IN WATER WHILE OPERATING.

WATER:

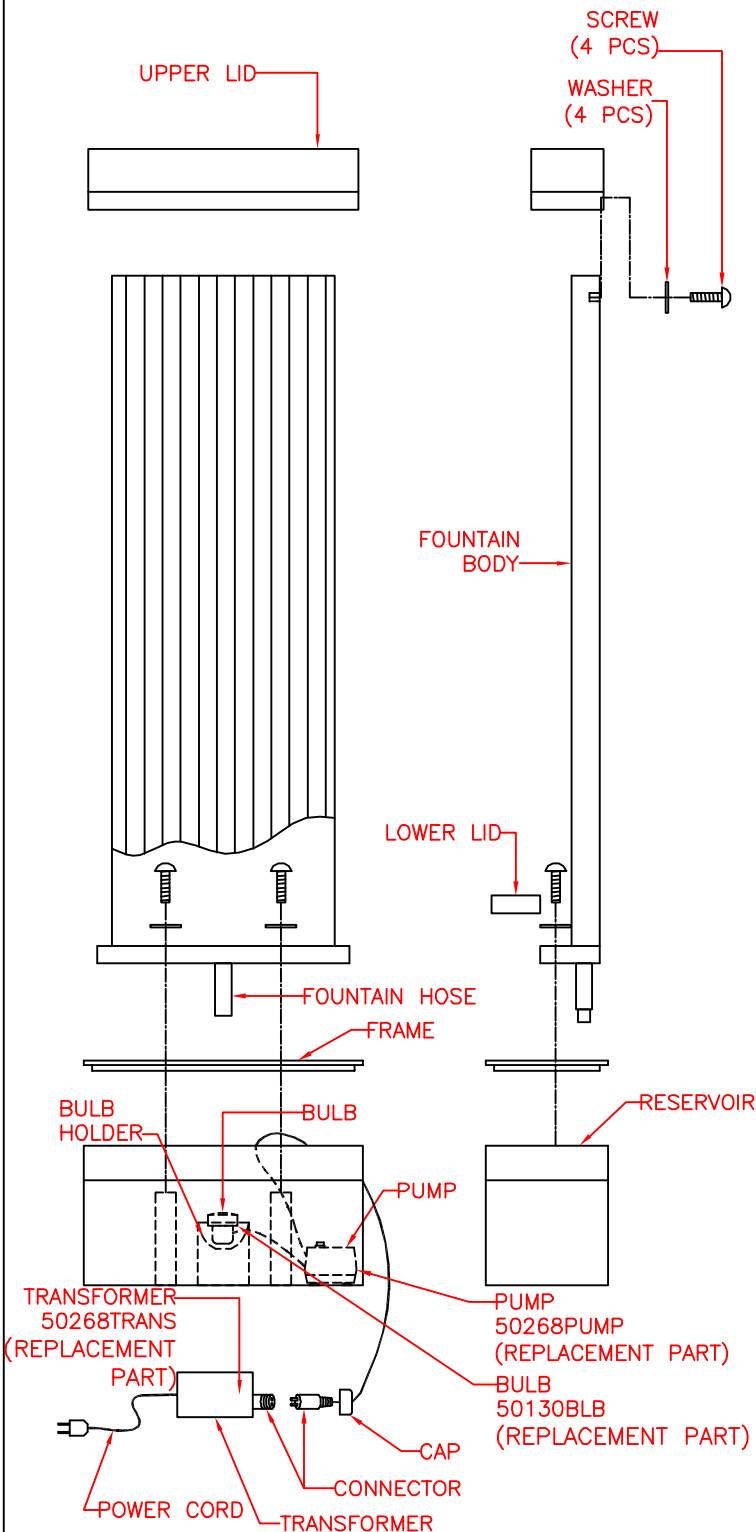
TO REDUCE MINERAL DEPOSITS AND BACTERIA BUILD UP THE USE OF DISTILLED WATER IS RECOMMENDED.

WARNING:

ONCE A WEEK INSPECT FOUNTAIN, FLOOR AND ADJACENT WALL FOR MOISTURE BUILD-UP AND CLEAN AS NECESSARY. THIS IS ESPECIALLY IMPORTANT FOR HUMID ENVIRONMENTS.

AVAILABLE PARTS ARE:

50268TRANS (TRANSFORMER)
50268PUMP (PUMP)
50130BLB (BULB)



IMPORTANT SAFETY INSTRUCTIONS:

THIS FOUNTAIN HAS A POLARIZED PLUG (ONE BLADE IS WIDER THAN THE OTHER) AS A FEATURE TO REDUCE THE RISK OF ELECTRIC SHOCK. THIS PLUG WILL FIT IN A POLARIZED OUTLET ONLY ONE WAY. IF THE PLUG DOES NOT FIT FULLY IN THE OUTLET, REVERSE THE PLUG. IF IT STILL DOES NOT FIT, CONTACT A QUALIFIED ELECTRICIAN. NEVER USE WITH AN EXTENSION CORD UNLESS PLUG CAN BE FULLY INSERTED. DO NOT ALTER THE PLUG.