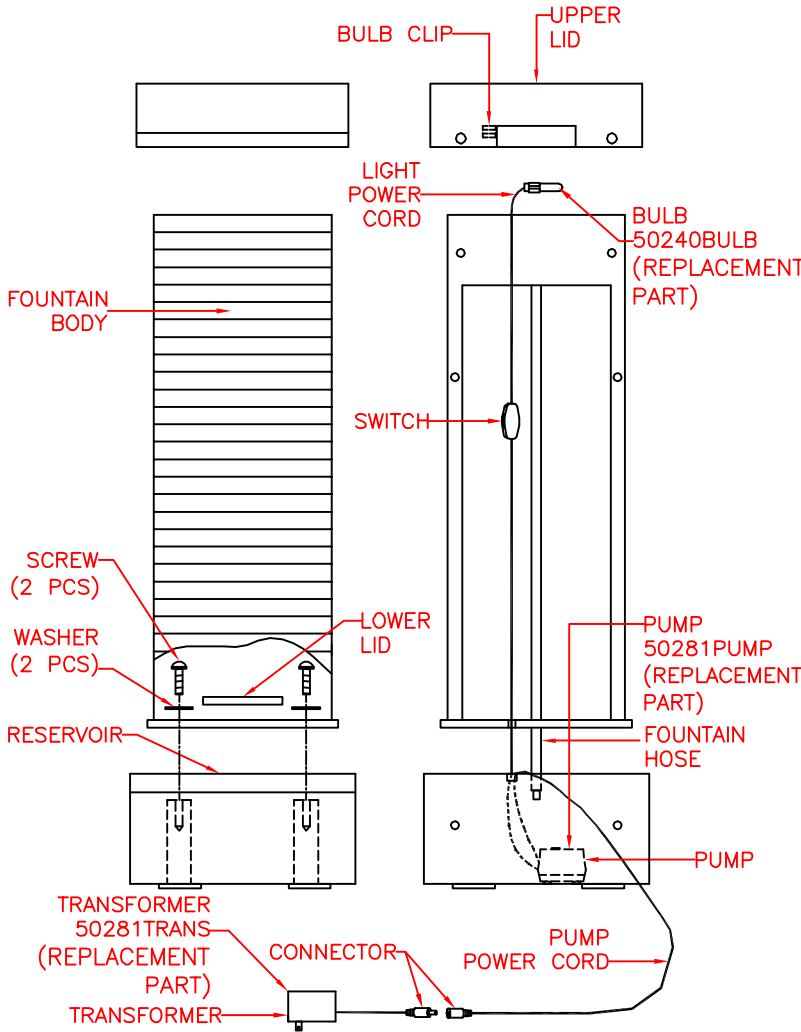


MODEL: 50290

ASSEMBLY INSTRUCTIONS

READ AND SAVE THESE INSTRUCTIONS



UNPACK THE FOUNTAIN

YOU SHOULD HAVE RECEIVED THE FOLLOWING PARTS IN THE PACKAGE: UPPER LID, FOUNTAIN BODY, (2) SUBMERSIBLE HALOGEN BULBS, LOWER LID, A BAG OF RIVER STONES, TRANSFORMER, SUBMERSIBLE PUMP, METAL FRAME, RESERVOIR, (8) WASHERS AND (8) SCREWS. TO PROTECT THE FINISH, PLACE ALL PARTS ON A SOFT SURFACE.

FOUNTAIN ASSEMBLY

1. ATTACH FOUNTAIN HOSE TO SUBMERSIBLE PUMP AND PLACE PUMP FLAT IN RESERVOIR.
2. PLACE FOUNTAIN BODY INTO RESERVOIR, THEN SECURE WITH (2) WASHERS AND (2) SCREWS. (SEE FRONT VIEW)
3. SLIDE BULB INTO BULB CLIP AS SHOWN. (FREE REPLACEMENT BULB INCLUDED)
4. PLACE THE UPPER LID ON FOUNTAIN BODY, THEN SECURE WITH (2) WASHERS AND (2) SCREWS. (SEE SIDE VIEW)

FOR TABLE TOP APPLICATIONS: SKIP TO STEP #8.

FOR WALL MOUNTED APPLICATIONS:

5. PLACE THE METAL FRAME ON BACK OF FOUNTAIN AS SHOWN, THEN SECURE WITH WASHERS AND SCREWS. (SEE SIDE VIEW)
6. IT IS RECOMMENDED TO CONTACT YOUR LOCAL HARDWARE PROFESSIONAL TO SELECT THE MOST APPROPRIATE TYPE OF SCREWS AND ANCHORS FOR YOUR PARTICULAR WALL. FOR MOST SECURE INSTALLATION IT IS RECOMMENDED TO MOUNT THE FOUNTAIN DIRECTLY INTO A WALL STUD.
7. MOUNT FOUNTAIN TO WALL.
8. PLACE THE LOWER LID INTO RESERVOIR.
9. PLACE RIVER STONES ON LOWER LID.
10. FILL RESERVOIR WITH ENOUGH WATER TO COMPLETELY SUBMERSE PUMP. (DISTILLED WATER IS RECOMMENDED BY US IN THE FOUNTAIN TO REDUCE MINERAL DEPOSITS AND BACTERIA BUILD-UP.)
11. JOIN THE CONNECTORS TOGETHER.
12. PLUG THE TRANSFORMER INTO SOCKET AND TURN ON AT SWITCH. YOUR FOUNTAIN IS READY TO USE.

TROUBLE SHOOTING:

1. IF YOUR FOUNTAIN DOES NOT WORK, CHECK PLUG AT THE SOCKET. MAKE SURE THE PLUG IS FULLY AND PROPERLY INSERTED INTO THE WALL OUTLET.
2. NEXT CHECK TO MAKE SURE THE OUTLET IS POWERED.
3. IF THE FOUNTAIN STILL DOES NOT WORK, PLEASE CONTACT YOUR DISTRIBUTOR OR PLACE OF PURCHASE.

SPLASHING DISCLAIMER:

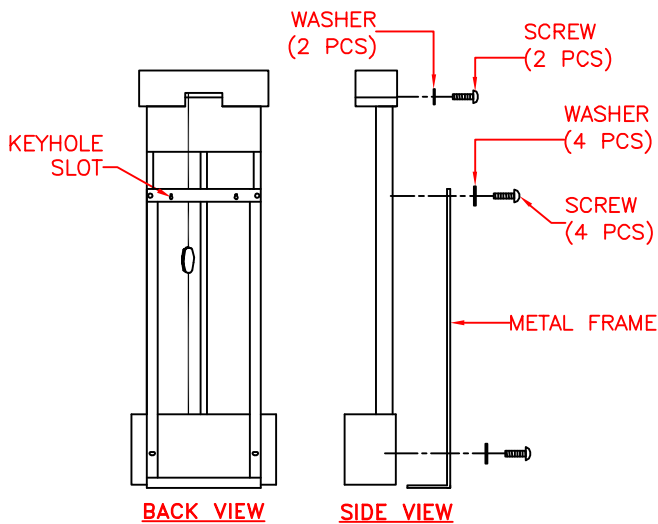
SPLASHING MAY OCCUR WHEN FOUNTAIN IS INITIALLY TURNED ON. PROTECT SURROUNDING SURFACES AS NEEDED.

IMPORTANT PUMP INFORMATION:

PUMP MUST BE FULLY SUBMERSED IN WATER WHILE OPERATING.

WATER:

TO REDUCE MINERAL DEPOSITS AND BACTERIA BUILD UP THE USE OF DISTILLED WATER IS RECOMMENDED.



WARNING:

ONCE A WEEK INSPECT FOUNTAIN, FLOOR AND ADJACENT WALL FOR MOISTURE BUILD-UP AND CLEAN AS NECESSARY. THIS IS ESPECIALLY IMPORTANT FOR HUMID ENVIRONMENTS.

IMPORTANT SAFETY INSTRUCTIONS:

THIS FOUNTAIN IS RATED FOR INDOOR USE ONLY.

AVAILABLE PARTS ARE:
50281TRANS (TRANSFORMER)
50281PUMP (PUMP)
50240BULB (BULB)