

MODEL: 53245MS

ASSEMBLY INSTRUCTIONS

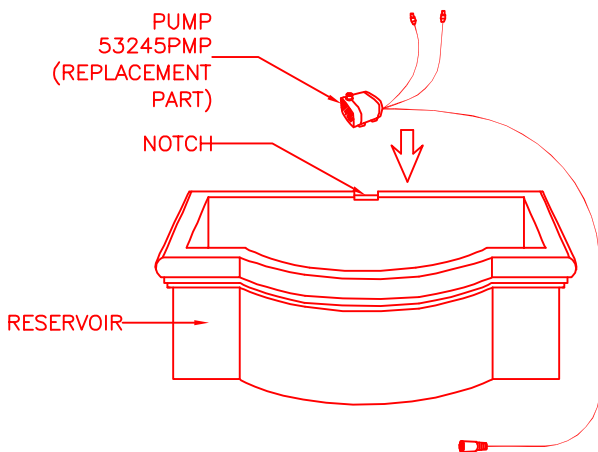
READ AND SAVE THESE INSTRUCTIONS

UNPACK THE FOUNTAIN

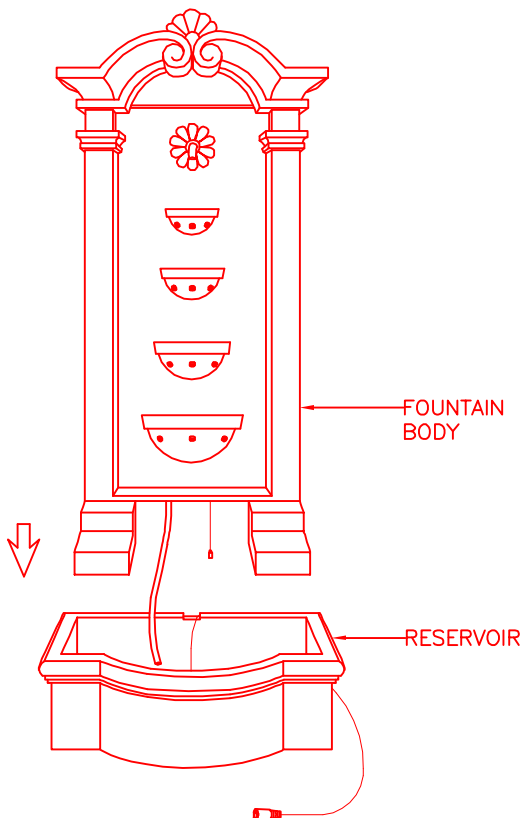
YOU SHOULD HAVE RECEIVED THE FOLLOWING PARTS: FOUNTAIN BODY, LID, LIGHT, PUMP, TRANSFORMER AND A BAG OF RIVER STONES.

FOUNTAIN ASSEMBLY

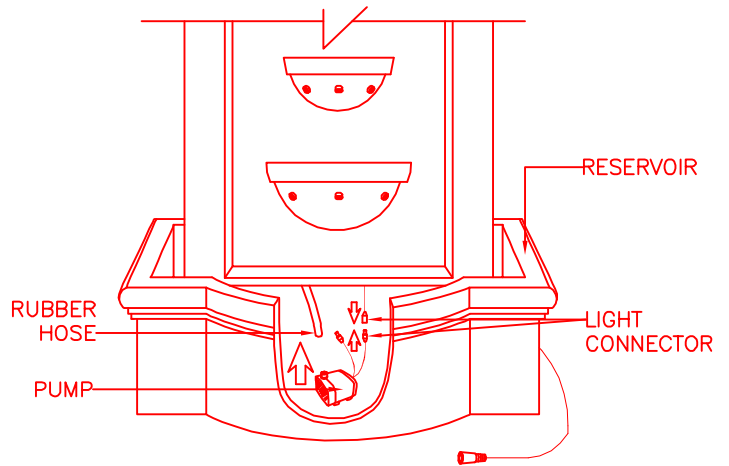
1. PLACE PUMP INTO RESERVOIR, MAKE SURE THE PUMP POWER CORD EXITS FROM THE NOTCH IN TOP OF RESERVOIR.



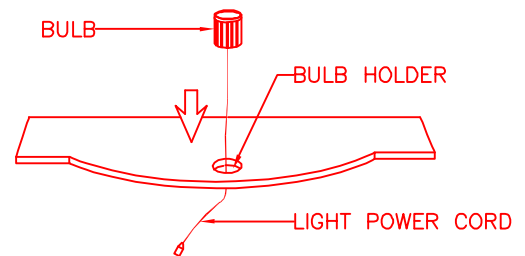
2. PLACE FOUNTAIN BODY INTO RESERVOIR.



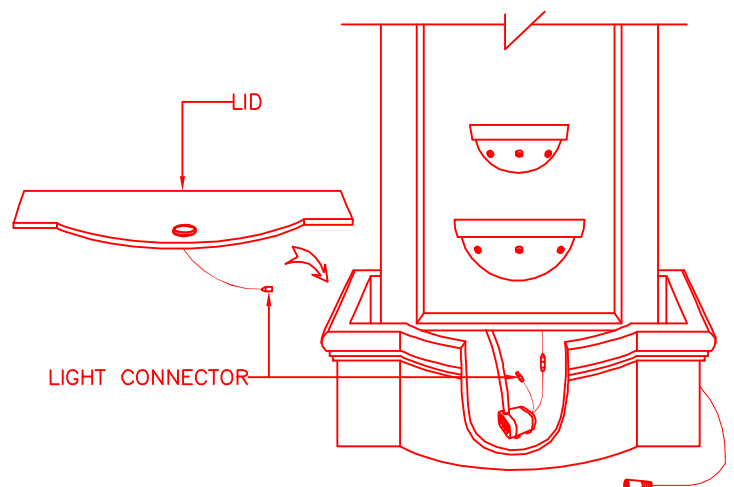
3. ATTACH PUMP TO RUBBER HOSE AND PLACE PUMP FLAT IN RESERVOIR, THEN JOIN THE LIGHT CONNECTORS TOGETHER.



4. FEED THE LIGHT POWER CORDS DOWN THROUGH THE BULB HOLDERS, THEN INSERT BULBS INTO BULB HOLDERS.



5. JOIN THE LIGHT CONNECTORS TOGETHER AND PLACE LID INTO RESERVOIR.



MODEL: 53245MS

ASSEMBLY INSTRUCTIONS

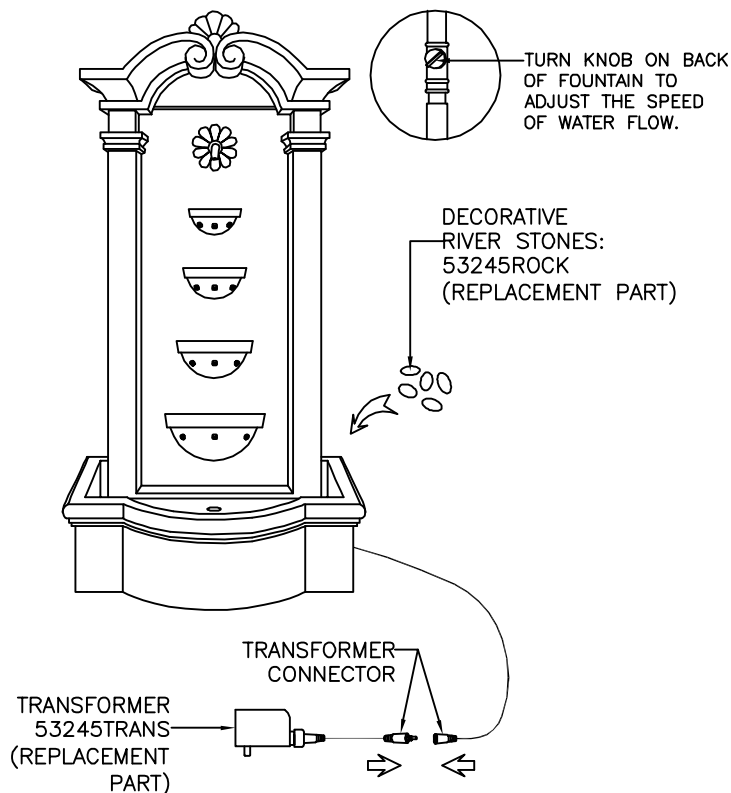
READ AND SAVE THESE INSTRUCTIONS

FOUNTAIN ASSEMBLY

6. PLACE DECORATIVE RIVER STONES ONTO TOP OF THE LID.

7. FILL RESERVOIR WITH 2.3 GALLONS OF WATER TO COMPLETELY SUBMERSE THE PUMP.

NOTE: DISTILLED WATER IS RECOMMENDED TO REDUCE MINERAL DEPOSITS AND BACTERIA BUILD-UP.



8. JOIN THE TRANSFORMER CONNECTORS TOGETHER.

9. PLUG TRANSFORMER INTO OUTLET, YOUR NEW FOUNTAIN IS READY FOR USE.

TROUBLE SHOOTING:

1. IF YOUR FOUNTAIN DOES NOT WORK, CHECK PLUG AT THE SOCKET. MAKE SURE THE PLUG IS FULLY AND PROPERLY INSERTED INTO THE WALL OUTLET.

2. NEXT CHECK TO MAKE SURE THE OUTLET IS POWERED.

3. IF THE FOUNTAIN STILL DOES NOT WORK, PLEASE CONTACT YOUR DISTRIBUTOR OR PLACE OF PURCHASE.

SPLASHING DISCLAIMER:

SPLASHING MAY OCCUR WHEN FOUNTAIN IS INITIALLY TURNED ON. PROTECT SURROUNDING SURFACES AS NEEDED.

IMPORTANT PUMP INFORMATION:

PUMP MUST BE FULLY SUBMERSED IN WATER WHILE OPERATING.

WATER:

TO REDUCE MINERAL DEPOSITS AND BACTERIA BUILD UP THE USE OF DISTILLED WATER IS RECOMMENDED.

WATER FLOW CONTROL VALVE:

TURN KNOB TO ADJUST THE SPEED OF WATER FLOW.

WARNING:

* ONCE A WEEK INSPECT FOUNTAIN, FLOOR AND ADJACENT WALL FOR MOISTURE BUILD-UP AND CLEAN AS NECESSARY. THIS IS ESPECIALLY IMPORTANT FOR HUMID ENVIRONMENTS.

** THIS FOUNTAIN IS RATED FOR INDOOR & OUTDOOR USE.

*** THIS UNIT MUST BE CONNECTED TO A SUPPLY CIRCUIT THAT IS PROTECTED BY A GROUND FAULT CIRCUIT INTERRUPTER (GFCI). THE GFCI SHOULD BE TESTED ON A ROUTINE BASIS. TO TEST THE GFCI, PUSH THE TEST BUTTON. THE GFCI SHOULD INTERRUPT POWER. PUSH THE RESET BUTTON. POWER SHOULD BE RESTORED. IF THE GFCI FAILS TO OPERATE IN THIS MANNER, THE GFCI IS DEFECTIVE.

AVAILABLE PARTS ARE:

53245ROCK (DECORATIVE RIVER STONES)
53245PMP (PUMP)
53245TRANS (TRANSFORMER)