

NOTE: AS OF APRIL 2006 ALL SHIPMENTS OF 50273 HAVE CHANGED TO USE LOW VOLTAGE PUMPS/TRANSFORMERS. NEW LOW VOLTAGE VERSIONS WILL HAVE A STICKER ON THE CORD (NEAR THE PLUG) THAT READS (V2 - LOW VOLTAGE). ADDITIONAL PARTS INFO IS LISTED IN THE MAS200 NOTES.

PRODUCT SPECIFICATIONS

OVERALL ASSEMBLED DIMENSIONS

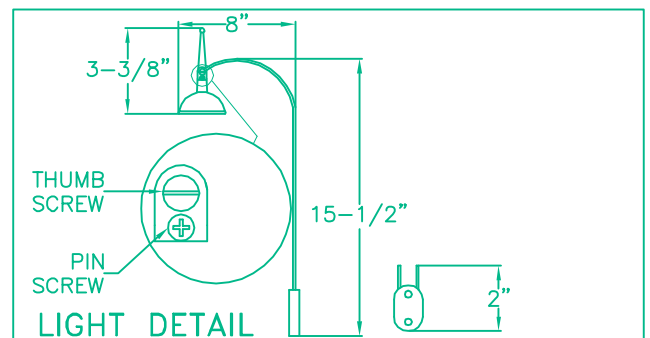
- HEIGHT: 142.2 CM (56"), HEIGHT: 125.4 CM (49") (WITHOUT LIGHT)
- WIDTH: 41.3 CM (16-1/4"). EXTENSION: 42 CM (16-1/2"), EXTENSION: 31.5 CM (12-3/8") (WITHOUT SPLASHGUARD).
- PUMP:** UL LISTED. 12V. 60HZ, SUBMERSIBLE FOUNTAIN PUMP.
- TRANSFORMER:** UL LISTED. CLASS 2 TRANSFORMER, INPUT: 120V, 60HZ, OUTPUT: 12V.
- LIGHT:** UL LISTED, 12V. 20 WATT, MR-16 BULB. (3) BULBS INCLUDED.
- LIGHT HARNESS:** 2-3MM STEEL RODS, CHROME PLATED, 39.4 CM (15-1/2") HEIGHT x 2.5 CM (1") WIDTH.
- TUBING:** STAINLESS STEEL, 2 CM (3/4") DIA. UPPER FRAME: 33.6 CM (13-1/4") WIDTH, 30.5 CM (12") HEIGHT. UPPER TUBING:(2) PCS 40 CM (15-3/4") LENGTH. LOWER TUBING: (2) PCS 36.2 CM (14-1/4") LENGTH.
- PANEL:** REFLECTING GLASS, HOLES IN PANELS TO ACCEPT SCREWS, SHAPED AS SHOWN. REMOVABLE DIVISIONAL LETTER LABELS ARE STICKED ON BACK OF PANELS.
- DECORATIVE STONES:** A BAG OF POLISHED RIVER STONES INCLUDED.
- RESERVOIR:** PLASTIC, WIDTH: 41.3 CM (16-1/4"), HEIGHT: 19 CM (7-1/2"), EXTENSION: 31.6 CM (12-3/8"). A LID IS PROVIDED AND MUST FIT THE RESERVOIR. (6) SUPPORT TUBES ARE INCLUDED.
- LABELS:** MANUFACTURING DATE, MODEL # AND COUNTRY OF ORIGIN LABEL PROVIDED.

PACKAGING AND SHIPPING DETAILS

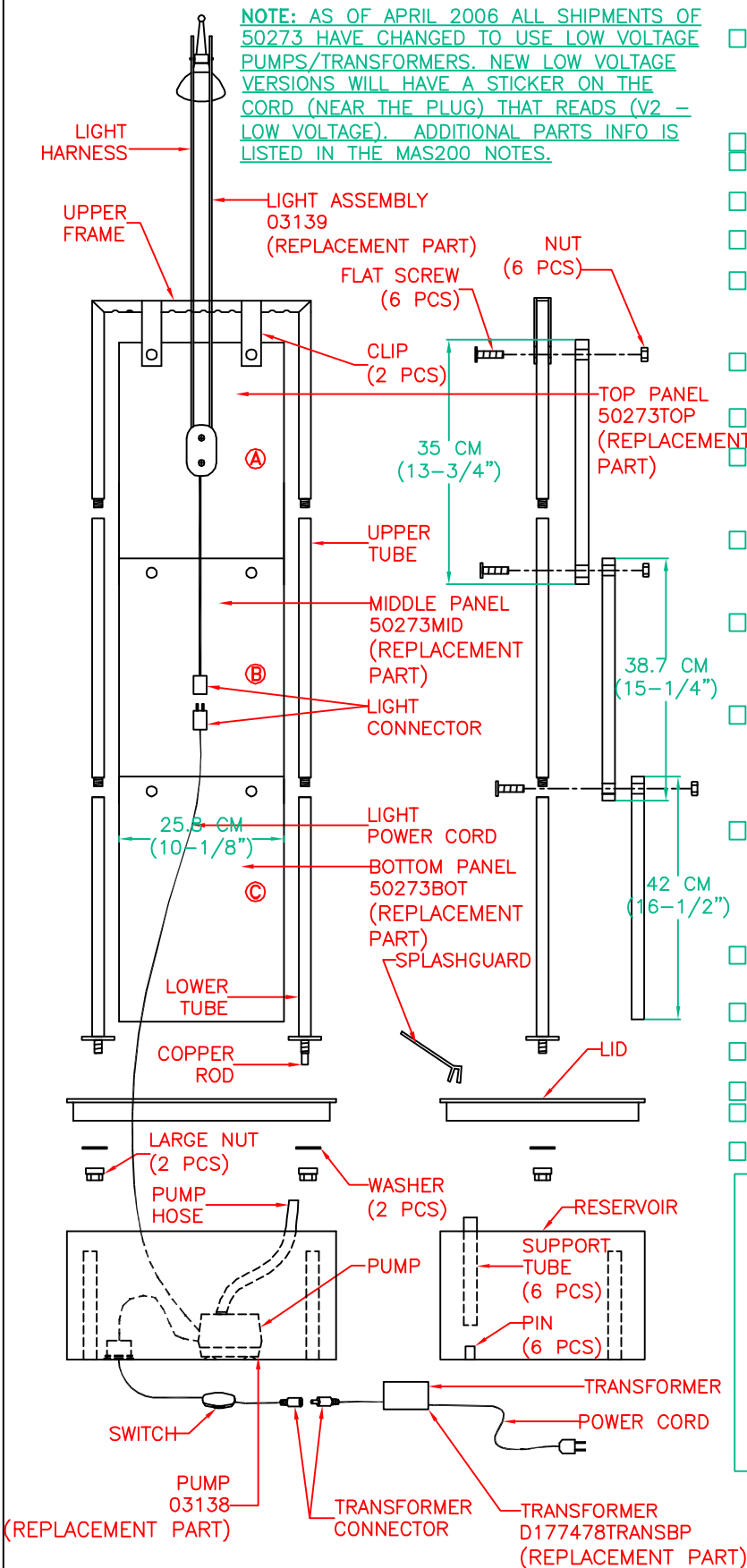
- THE FOUNTAIN IS DISASSEMBLED FOR SHIPPING. THE COMPONENT PARTS ARE CAREFULLY WRAPPED AND PLACED IN THE INNER PACKING SO THAT THEY CAN NOT MOVE DURING SHIPPING. A SMALL BAG OF SILICA IS INCLUDED IN THE PACKAGE.
- THE CARTON IS MADE OF DOUBLE WALL CORRUGATED CARDBOARD "A MA A". BROWN IN COLOR. THE INNER PACKING IS DIE-CUT CARDBOARD AND/OR STYROFOAM SUFFICIENT TO PROTECT AND SECURE THE FOUNTAIN AND MUST PASS THE DROP TEST REQUIREMENTS.
- EACH CARTON SHALL BE PRINTED WITH A LINE DRAWING AND THE KENROY HOME NAME AND LOGO, MODEL NUMBER, SKU NUMBER AND FINISH, EACH CARTON SHALL BE PROVIDED A UPC LABEL. THE UPC BAR CODE AS FOLLOWS: CH=053392002626.

OTHER DETAILS

- MODEL 50273 INSTRUCTIONS ARE TO BE PACKED WITH EACH FOUNTAIN. INSTRUCTIONS MUST BE PRINTED CLEARLY ON QUALITY PAPER.
- ALL VISIBLE RESIN PARTS MUST MATCH FOUNTAIN FINISH UNLESS OTHERWISE SPECIFIED.
- ALL BAGS MUST BE LABELED WITH OFFICIAL "THIS BAG IS NOT A TOY" STATEMENT.
- ASSEMBLY TIME: 50 MINUTES.
- DIMS OF BOX: 50.5 CM (19-7/8") LENGTH x 41 CM (16-1/8") WIDTH x 38 CM (15") HEIGHT.
- NET WEIGHT: 37.6 LBS. GROSS WEIGHT: 42.9 LBS.



AVAILABLE PARTS ARE:
D177478TRANSBP (TRANSFORMER)
03138 (PUMP)
50273BOT (BOTTOM PANEL)
50273TOP (TOP PANEL)
50273MID (MIDDLE PANEL)
03139 (LIGHT ASSEMBLY)



KENROY HOME

11660 CENTRAL PARKWAY
JACKSONVILLE, FL. 32224
PHONE: 904-642-4340
FAX: 904-642-4150

THIS DOCUMENT AND THE INFORMATION THAT IT DISCLOSES IS THE EXCLUSIVE PROPERTY OF KENROY HOME. ANY REPRODUCTION OR USE OF THIS DRAWING IN PART OR IN WHOLE, WITHOUT THE EXPRESS CONSENT OF THE PROPRIETOR IS PROHIBITED. © 2005 KENROY HOME.

DATE: 1/24/2005

SCALE: NONE

DRAWN BY: JAMES

REFERENCE:

REFLECTING FLOOR FOUNTAIN

APPROVAL:

REVISION DATE:

add tube 5/13/05

REVISION DATE:

add label 5/13/05

REVISION DATE:

add warning 10/24/05

REVISION DATE:

6/24/06 change to low voltage

MODEL #:

50273

FINISHES:

CH

PAGE:

1

OF:

1