

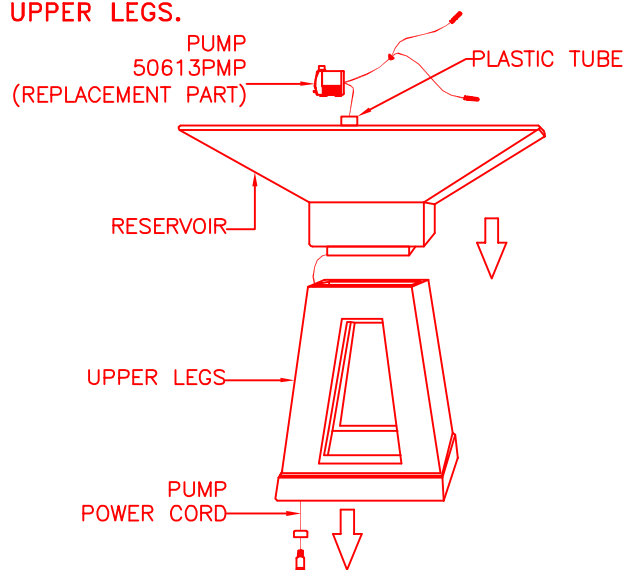
MODEL: 50613CPBZ
ASSEMBLY INSTRUCTIONS
READ AND SAVE THESE INSTRUCTIONS

UNPACK THE FOUNTAIN

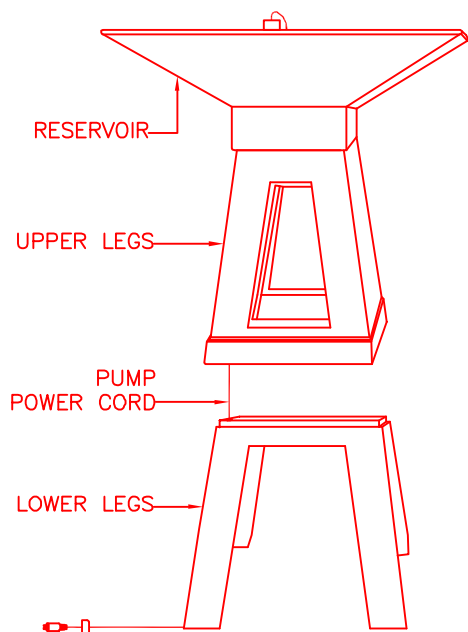
YOU SHOULD HAVE RECEIVED THE FOLLOWING PARTS:
 COLUMN, PUMP WITH (2) LIGHTS, (2) EXTRA BULBS,
 RESERVOIR, UPPER LEGS, LOWER LEGS AND TRANSFORMER.

FOUNTAIN ASSEMBLY

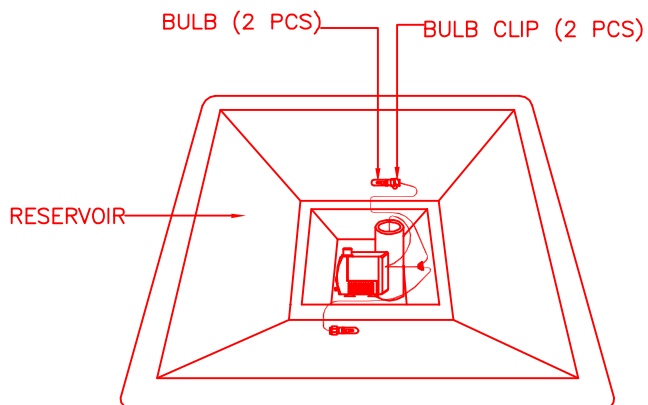
1. FEED PUMP POWER CORD THROUGH THE PLASTIC TUBE TOWARD BOTTOM OF UPPER LEGS, THEN PLACE RESERVOIR ONTO TOP OF THE UPPER LEGS.



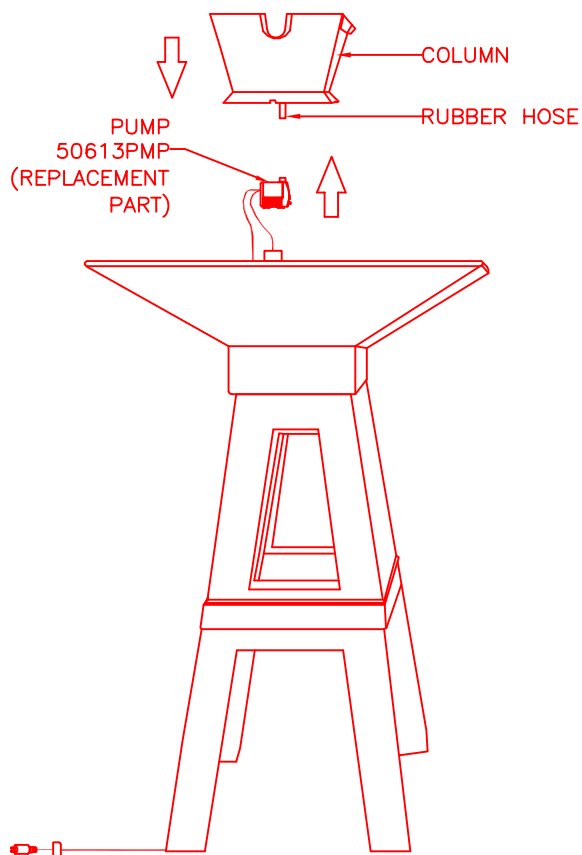
2. FEED THE PUMP POWER CORD THROUGH THE THE HOLE IN LOWER LEGS AND TOWARD BOTTOM OF IT, CORD EXITS FROM CHANNEL ON THE BOTTOM OF THE LOWER LEGS. THEN PLACE THE UPPER LEGS AND RESERVOIR ONTO LOWER LEGS.



3. INSERT THE BULBS INTO BULB CLIPS IN RESERVOIR.



4. ATTACH PUMP TO RUBBER HOSE ON COLUMN, THEN PLACE THE COLUMN INTO RESERVOIR.



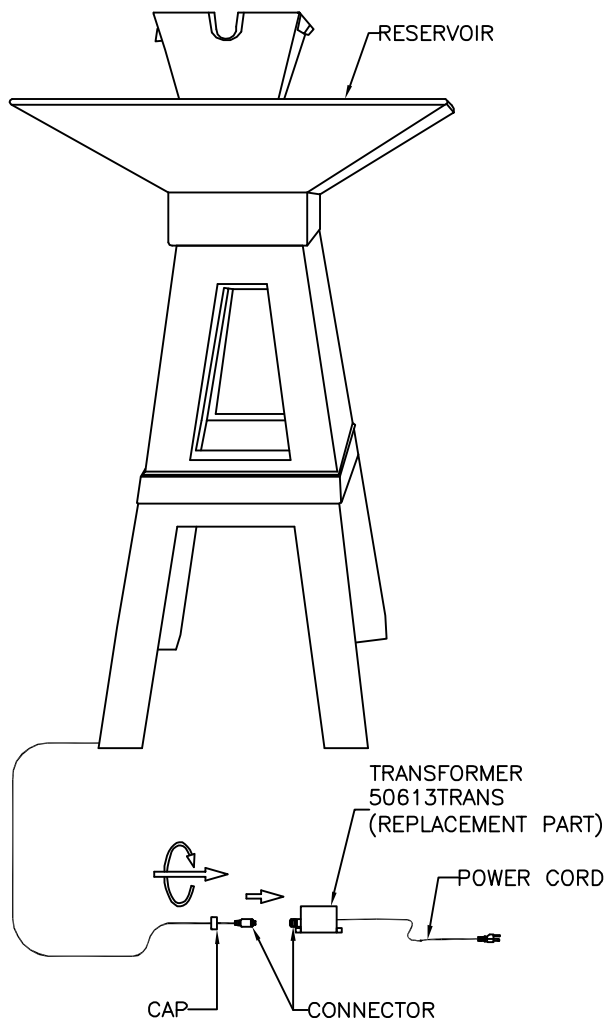
MODEL: 50613CPBZ
ASSEMBLY INSTRUCTIONS
READ AND SAVE THESE INSTRUCTIONS

FOUNTAIN ASSEMBLY

5. FILL RESERVOIR WITH 1.7 GALLONS OF WATER TO COMPLETELY SUBMERSE THE PUMP.

NOTE: DISTILLED WATER IS RECOMMENDED TO REDUCE MINERAL DEPOSITS AND BACTERIA BUILD-UP.)

6. JOIN THE CONNECTORS AT TRANSFORMER AND SCREW THE CAP TO CONNECTOR TIGHTLY TOGETHER.



7. PLUG POWER CORD INTO SOCKET, YOUR NEW FOUNTAIN IS READY FOR USE.

TROUBLE SHOOTING:

1. IF YOUR FOUNTAIN DOES NOT WORK, CHECK PLUG AT THE SOCKET. MAKE SURE THE PLUG IS FULLY AND PROPERLY INSERTED INTO THE WALL OUTLET.

2. NEXT CHECK TO MAKE SURE THE OUTLET IS POWERED.

3. IF THE FOUNTAIN STILL DOES NOT WORK, PLEASE CONTACT YOUR DISTRIBUTOR OR PLACE OF PURCHASE.

SPLASHING DISCLAIMER:

SPLASHING MAY OCCUR WHEN FOUNTAIN IS INITIALLY TURNED ON. PROTECT SURROUNDING SURFACES AS NEEDED.

IMPORTANT PUMP INFORMATION:

PUMP MUST BE FULLY SUBMERSED IN WATER WHILE OPERATING.

WATER:

TO REDUCE MINERAL DEPOSITS AND BACTERIA BUILD UP THE USE OF DISTILLED WATER IS RECOMMENDED.

WARNING:

* ONCE A WEEK INSPECT FOUNTAIN, FLOOR AND ADJACENT WALL FOR MOISTURE BUILD-UP AND CLEAN AS NECESSARY. THIS IS ESPECIALLY IMPORTANT FOR HUMID ENVIRONMENTS.

** THIS FOUNTAIN IS RATED FOR OUTDOOR USE ONLY.

*** THIS UNIT MUST BE CONNECTED TO A SUPPLY CIRCUIT THAT IS PROTECTED BY A GROUND FAULT CIRCUIT INTERRUPTER (GFCI). THE GFCI SHOULD BE TESTED ON A ROUTINE BASIS. TO TEST THE GFCI, PUSH THE TEST BUTTON. THE GFCI SHOULD INTERRUPT POWER. PUSH THE RESET BUTTON. POWER SHOULD BE RESTORED. IF THE GFCI FAILS TO OPERATE IN THIS MANNER, THE GFCI IS DEFECTIVE.

AVAILABLE PARTS ARE:

50613PMP (PUMP)
50613TRANS (TRANSFORMER)