

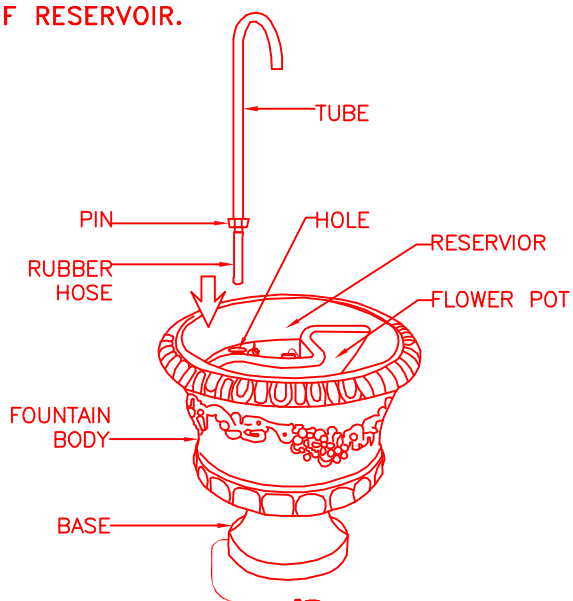
MODEL: 50614BRZ  
**ASSEMBLY INSTRUCTIONS**  
READ AND SAVE THESE INSTRUCTIONS

**UNPACK THE FOUNTAIN**

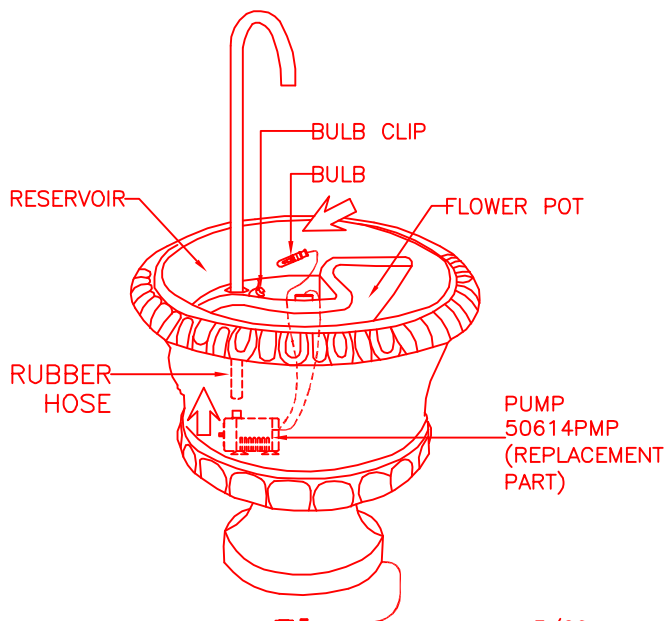
YOU SHOULD HAVE RECEIVED THE FOLLOWING PARTS:  
 TUBE WITH RUBBER HOSE, RESERVOIR, PUMP WITH LIGHT,  
 EXTRA BULB, TRANSFORMER AND SCREENED COVER.

**FOUNTAIN ASSEMBLY**

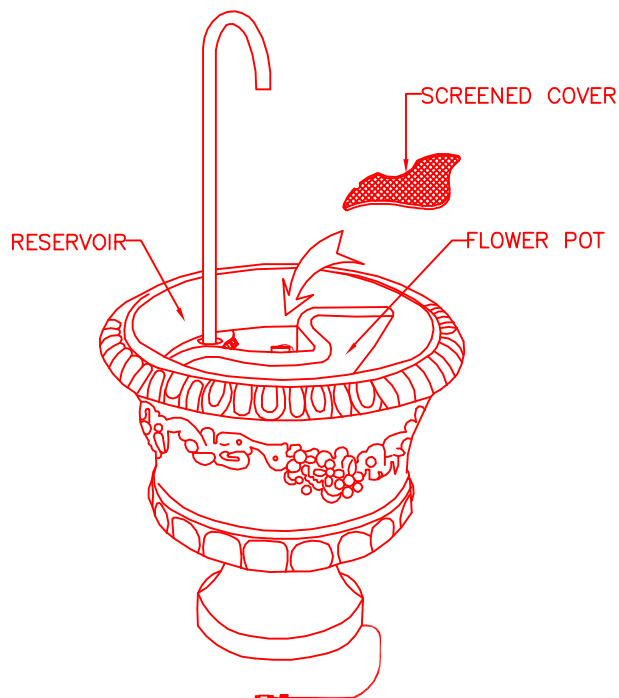
1. PUT FOUNTAIN BODY ON FLOOR, MAKE SURE PUMP POWER CORD COMES OUT FROM NOTCH OF BASE.
2. INSERT THE PIN OF TUBE INTO THE HOLE OF RESERVOIR.



3. ATTACH PUMP TO THE RUBBER HOSE, THEN PLACE PUMP INTO RESERVOIR, MAKE SURE THE PUMP SITS FLAT IN RESERVOIR. INSERT BULB INTO BULB CLIP TO SECURE.



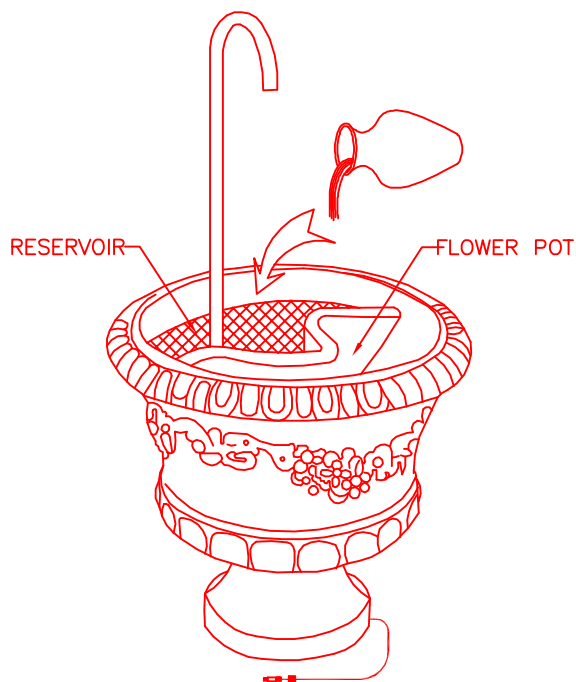
4. PLACE SCREENED COVER INTO RESERVOIR.



5. FILL RESERVOIR WITH 0.6 GALLONS OF WATER TO COMPLETELY SUBMERSE THE PUMP.

**NOTE:** DISTILLED WATER IS RECOMMENDED TO REDUCE MINERAL DEPOSITS AND BACTERIA BUILD-UP.

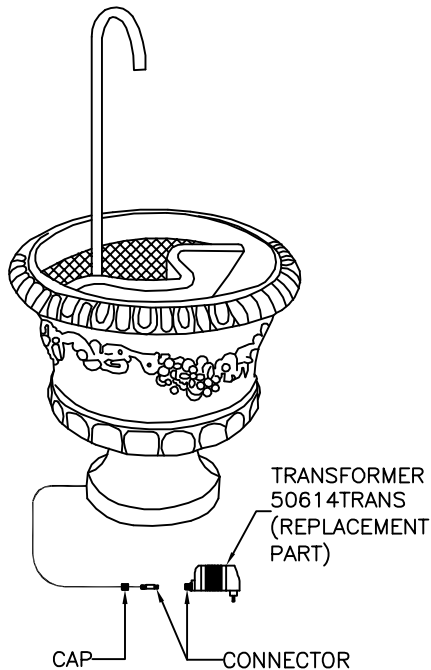
\* FLOWER POT (FRONT AREA) WITH DRAINAGE FOR REAL OR ARTIFICIAL PLANTS OR FLOWERS.



MODEL: 50614BRZ  
**ASSEMBLY INSTRUCTIONS**  
**READ AND SAVE THESE INSTRUCTIONS**

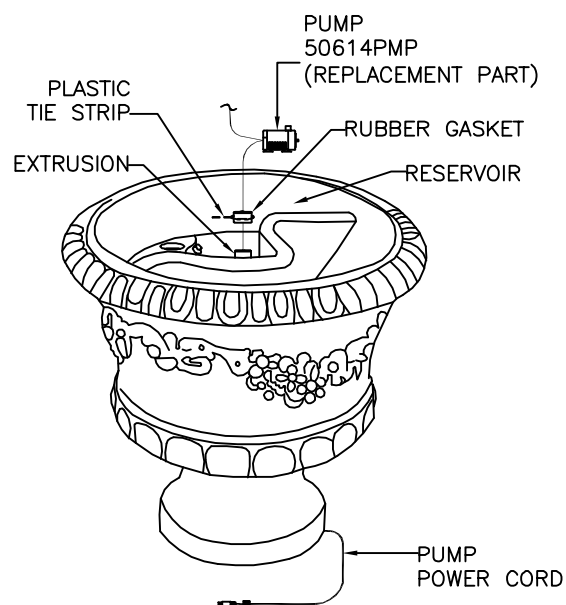
**FOUNTAIN ASSEMBLY**

6. JOIN THE CONNECTORS AT TRANSFORMER AND SCREW THE CAP TIGHTLY TOGETHER.



7. PLUG TRANSFORMER INTO OUTLET, YOUR NEW FOUNTAIN IS READY FOR USE.

**AVAILABLE PARTS ARE:**  
50614PMP (PUMP)  
50614TRANS (TRANSFORMER)



**PUMP REPLACEMENT DETAILS:**

**TROUBLE SHOOTING:**

1. IF YOUR FOUNTAIN DOES NOT WORK, CHECK PLUG AT THE SOCKET. MAKE SURE THE PLUG IS FULLY AND PROPERLY INSERTED INTO THE WALL OUTLET.

2. NEXT CHECK TO MAKE SURE THE OUTLET IS POWERED.

3. IF THE FOUNTAIN STILL DOES NOT WORK, PLEASE CONTACT YOUR DISTRIBUTOR OR PLACE OF PURCHASE.

**SPLASHING DISCLAIMER:**

SPLASHING MAY OCCUR WHEN FOUNTAIN IS INITIALLY TURNED ON. PROTECT SURROUNDING SURFACES AS NEEDED.

**IMPORTANT PUMP INFORMATION:**

PUMP MUST BE FULLY SUBMERSED IN WATER WHILE OPERATING.

**WATER:**

TO REDUCE MINERAL DEPOSITS AND BACTERIA BUILD UP THE USE OF DISTILLED WATER IS RECOMMENDED.

**WARNING:**

\* ONCE A WEEK INSPECT FOUNTAIN, FLOOR AND ADJACENT WALL FOR MOISTURE BUILD-UP AND CLEAN AS NECESSARY. THIS IS ESPECIALLY IMPORTANT FOR HUMID ENVIRONMENTS.

\*\* THIS FOUNTAIN IS RATED FOR OUTDOOR USE.

\*\*\* THIS UNIT MUST BE CONNECTED TO A SUPPLY CIRCUIT THAT IS PROTECTED BY A GROUND FAULT CIRCUIT INTERRUPTER (GFCI). THE GFCI SHOULD BE TESTED ON A ROUTINE BASIS. TO TEST THE GFCI, PUSH THE TEST BUTTON. THE GFCI SHOULD INTERRUPT POWER. PUSH THE RESET BUTTON. POWER SHOULD BE RESTORED. IF THE GFCI FAILS TO OPERATE IN THIS MANNER, THE GFCI IS DEFECTIVE.

**PUMP REPLACEMENT:**

1. UNPLUG THE FOUNTAIN.
2. DISASSEMBLE THE FOUNTAIN AS NECESSARY TO EXPOSE RESERVOIR.
3. REMOVE ALL WATER FROM RESERVOIR.
4. SNIP THE PLASTIC TIE STRIP.
5. PEEL BACK RUBBER GASKET FROM EXTRUSION.
6. PULL OLD PUMP FROM FOUNTAIN.
7. THREAD CORD FOR NEW PUMP THROUGH EXTRUSION AS SHOWN.
8. PLACE RUBBER GASKET OVER EXTRUSION AND SECURE BY TIGHTENING A NEW PLASTIC TIE STRIP (INCLUDED).
9. REASSEMBLE THE FOUNTAIN WITH NEW PUMP.