

MODEL: 50002ORB
ASSEMBLY INSTRUCTIONS
READ AND SAVE THESE INSTRUCTIONS

READ INSTRUCTIONS ALL THE WAY THROUGH PRIOR TO ASSEMBLY.

THIS FOUNTAIN SHOULD TAKE APPROXIMATELY 15 MINUTES TO ASSEMBLE.

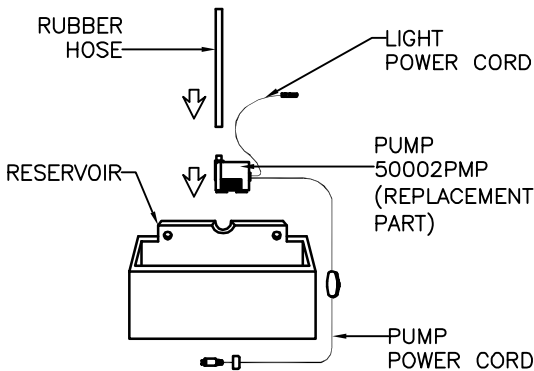
MAKE SURE ALL PARTS ARE FIRMLY TIGHTENED.

UNPACK THE FOUNTAIN

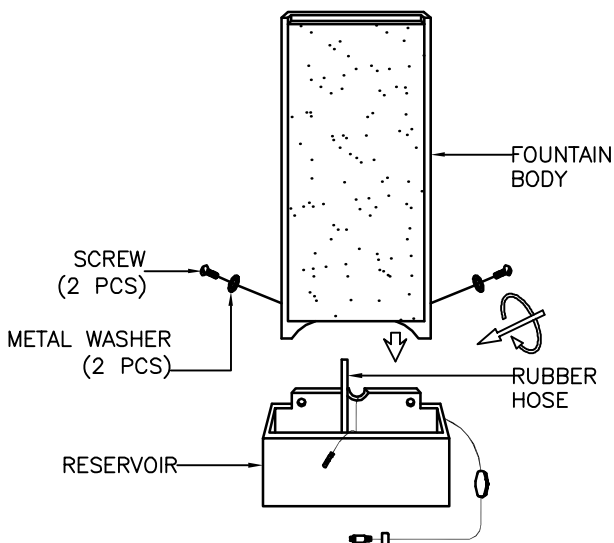
YOU SHOULD HAVE RECEIVED THE FOLLOWING PARTS: LID, FOUNTIAN BODY, RESERVOIR, SPLASHGUARD, (2) METAL WASHERS, (2) SCREWS, PUMP WITH LIGHT, EXTRA BULB, RUBBER HOSE, TRANSFORMER, A BAG OF RIVER STONES, (2) CORD COVERS, CHANNEL, (2) PLASTIC ANCHORS AND (2) WOOD SCREWS.

FOUNTAIN ASSEMBLY

1. PLACE PUMP FLAT IN RESERVOIR, RUN PUMP POWER CORD UP AND OVER BACK OF RESERVOIR, RUN LIGHT POWER CORD UP AND OVER FRONT OF RESERVOIR, THEN ATTACH RUBBER HOSE TO THE PUMP.

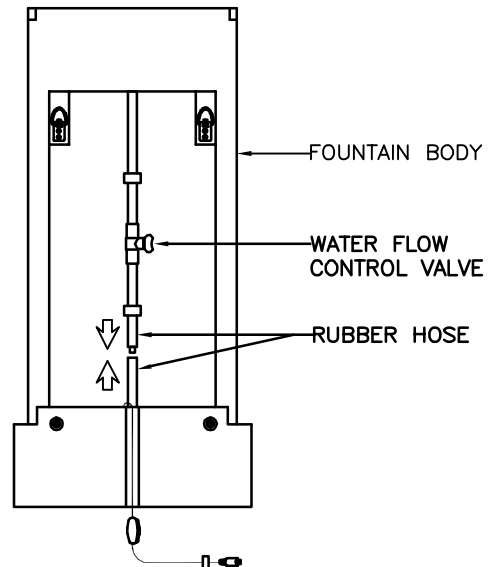


2. PLACE FOUNTAIN BODY INTO RESERVOIR, SECURE THE FOUNTAIN BODY TO RESERVIOR WITH (2) METAL WASHERS AND (2) SCREWS FROM BACK OF THE RESERVOIR.



3. JOIN THE RUBBER HOSES TOGETHER FROM BACK OF THE FOUNTAIN BODY.

NOTE: YOU CAN ADJUST THE WATER FLOW CONTROL VALVE TO CONTROL THE SPEED OF THE WATER FLOW.

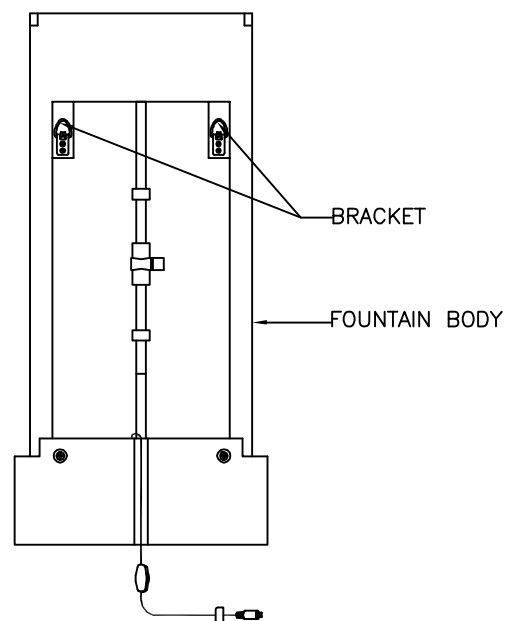


FOR TABLE APPLICATIONS: SKIP TO STEP #7.

FOR WALL MOUNTED APPLICATIONS:

4. LOCATE DESIRED POSITION ON WALL.

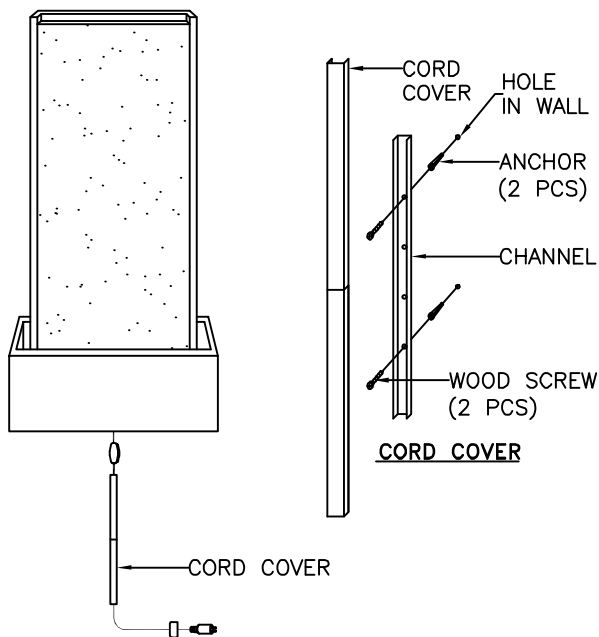
5. INSTALL WALL ANCHORS IN WALL AND HANG FOUNTAIN SECURELY ON BRACKETS. (HARDWARE NOT INCLUDED. CONTACT YOUR LOCAL HARDWARE PROFESSIONAL TO CHOOSE AN ATTACHMENT MECHANISM APPROPRIATE FOR YOUR WALL)



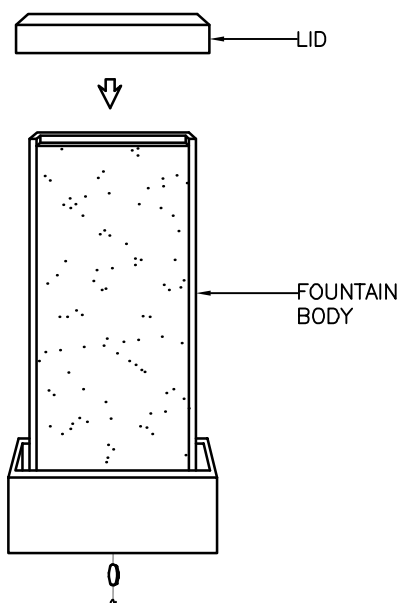
MODEL: 50002ORB
ASSEMBLY INSTRUCTIONS
 READ AND SAVE THESE INSTRUCTIONS

FOUNTAIN ASSEMBLY

6. TO INSTALL CORD COVER, MOUNT CHANNEL ON THE WALL WITH WOOD SCREWS AND ANCHORS. PLACE CORD INSIDE CHANNEL AND PRESS CORD COVER SECURELY ONTO CHANNEL.



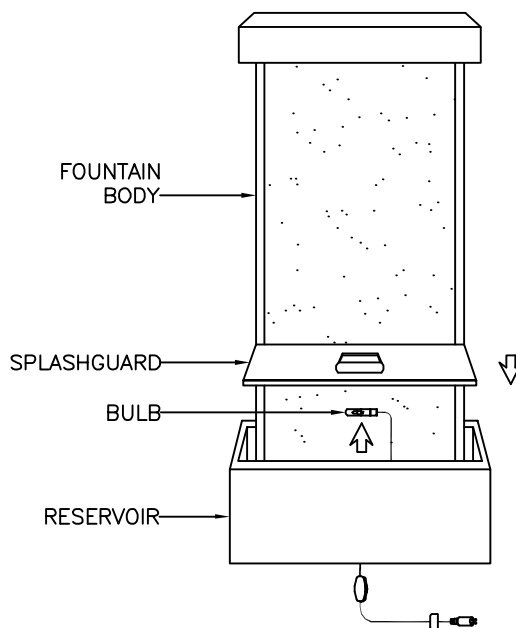
7. PLACE LID ONTO TOP OF FOUNTAIN BODY IF DESIRED.



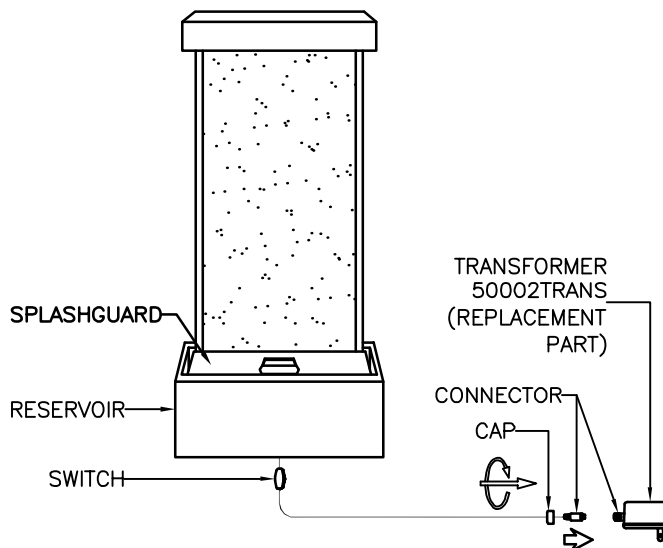
8. FILL RESERVOIR WITH ENOUGH WATER TO COMPLETELY SUBMERSE PUMP. (DISTILLED WATER IS RECOMMENDED TO REDUCE MINERAL DEPOSITS AND BACTERIA BUILD-UP.)

* RESERVOIR HOLDS 0.65 GALLONS OF WATER.

9. SLIDE BULB INTO BULB CLIP ON BOTTOM OF SPLASHGUARD. THEN PLACE SPLASHGUARD INTO RESERVOIR TO COVER THE RESERVOIR.



10. PLACE DECORATIVE RIVER STONES ONTO TOP OF THE SPLASHGUARD.



11. JOIN THE CONNECTORS AT TRANSFORMER AND SCREW THE CAP TO CONNECTOR TIGHTLY TOGETHER.

12. PLUG TRANSFORMER INTO SOCKET AND TURN ON AT SWITCH, YOUR NEW FOUNTAIN IS READY FOR USE.

MODEL: 50002ORB
ASSEMBLY INSTRUCTIONS
READ AND SAVE THESE INSTRUCTIONS

TROUBLE SHOOTING:

1. IF YOUR FOUNTAIN DOES NOT WORK, CHECK PLUG AT THE SOCKET. MAKE SURE THE PLUG IS FULLY AND PROPERLY INSERTED INTO THE WALL OUTLET.
2. NEXT CHECK TO MAKE SURE THE OUTLET IS POWERED.
3. IF THE FOUNTAIN STILL DOES NOT WORK, PLEASE CONTACT YOUR DISTRIBUTOR OR PLACE OF PURCHASE.

SPLASHING DISCLAIMER:

SPLASHING MAY OCCUR WHEN FOUNTAIN IS INITIALLY TURNED ON. PROTECT SURROUNDING SURFACES AS NEEDED.

IMPORTANT PUMP INFORMATION:

PUMP MUST BE FULLY SUBMERSED IN WATER WHILE OPERATING.

WATER:

TO REDUCE MINERAL DEPOSITS AND BACTERIA BUILD UP THE USE OF DISTILLED WATER IS RECOMMENDED.

IMPORTANT SAFETY INSTRUCTIONS:

THIS FOUNTAIN IS RATED FOR INDOOR USE ONLY.

WARNING:

* ONCE A WEEK INSPECT FOUNTAIN, FLOOR AND ADJACENT WALL FOR MOISTURE BUILD-UP AND CLEAN AS NECESSARY. THIS IS ESPECIALLY IMPORTANT FOR HUMID ENVIRONMENTS.

** MADE FROM GENUINE RAW COPPER, THIS FOUNTAIN WILL NATURALLY AGE OVER TIME TO CREATE A UNIQUE LOOK AND FEEL.

*** THIS UNIT MUST BE CONNECTED TO A SUPPLY CIRCUIT THAT IS PROTECTED BY A GROUND FAULT CIRCUIT INTERRUPTER (GFCI). THE GFCI SHOULD BE TESTED ON A ROUTINE BASIS. TO TEST THE GFCI, PUSH THE TEST BUTTON. THE GFCI SHOULD INTERRUPT POWER. PUSH THE RESET BUTTON. POWER SHOULD BE RESTORED. IF THE GFCI FAILS TO OPERATE IN THIS MANNER, THE GFCI IS DEFECTIVE.

AVAILABLE PARTS ARE:

50002PMP (PUMP)
50002TRANS (TRANSFORMER)