

AVAILABLE PARTS ARE:
 50621PMP (PUMP)
 50621TRANS (TRANSFORMER)
 50621SG (SPLASH GUARD)

SPLASH GUARD
 50621SG
 (REPLACEMENT PART)

SCREW (2 PCS)

METAL WASHER
 (2 PCS)

RESERVOIR

TRANSFORMER
 POWER CORD

TRANSFORMER
 50621TRANS
 (REPLACEMENT PART)

FRONT VIEW:

CAP

PUMP POWER CORD
 CONNECTOR

FOUNTAIN
 BODY

WATER FLOW
 CONTROL VALVE

RUBBER HOSE

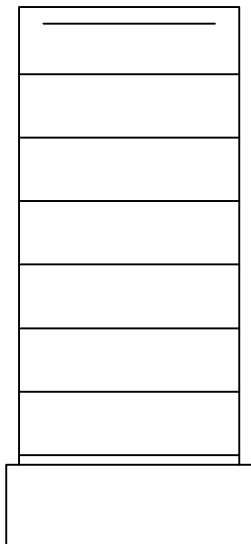
PUMP
 50621PMP
 (REPLACEMENT PART)

SPOT LIGHT

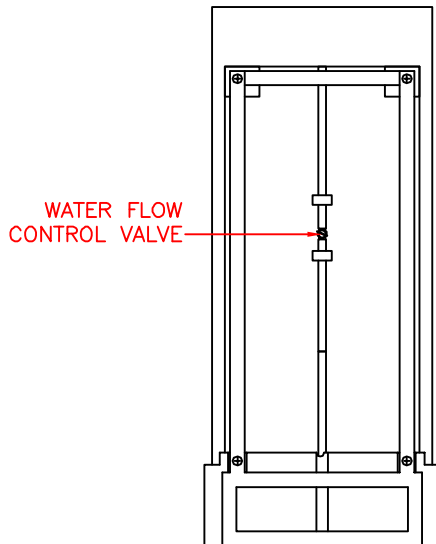
RESERVOIR

BACK VIEW:

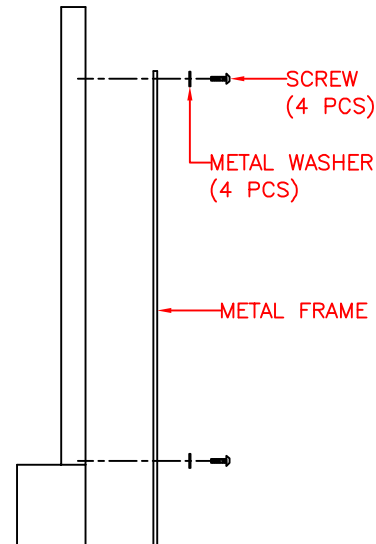
MOUNTING TO WALL DIAGRAM



FRONT VIEW:



BACK VIEW:



SIDE VIEW:

SCREW
 (4 PCS)

METAL WASHER
 (4 PCS)

METAL FRAME

WATER FLOW
 CONTROL VALVE

**KENROY
 HOME**

11660 CENTRAL PARKWAY
 JACKSONVILLE, FL. 32224
 PHONE: 904-642-4340
 FAX: 904-642-4150

THIS DOCUMENT AND THE INFORMATION THAT IT DISCLOSES IS THE EXCLUSIVE PROPERTY OF KENROY HOME. ANY REPRODUCTION OR USE OF THIS DRAWING IN PART OR IN WHOLE, WITHOUT THE EXPRESS CONSENT OF THE PROPRIETOR IS PROHIBITED. © 2009 KENROY HOME.

DATE: 3/17/2009

SCALE: NONE

DRAWN BY: JAMES

REFERENCE:
 BROOK INDOOR/OUTDOOR FLOOR/WALL FOUNTAIN

APPROVAL:

REVISION DATE:

REVISION DATE:

REVISION DATE:

REVISION DATE:

MODEL #:

50621

FINISHES:

SL

PAGE: 1 OF 2

PRODUCT SPECIFICATIONS

- OVERALL ASSEMBLED DIMENSIONS**
HEIGHT: 91.4 CM (36"), WIDTH: 42.5 CM (16-3/4"), EXTENSION: 13 CM (5-1/8").
- PUMP:** UL LISTED. UL-900L, 12V, 60HZ, CLASS 2 POWER UNITS. SUBMERSIBLE FOUNTAIN PUMP.
- TRANSFORMER:** UL LISTED FOR WET LOCATION. INPUT: 120V, 60HZ, OUTPUT: 12V.
- 1 LIGHT:** UL LISTED, 12 V. 10 WATT, MR-11 BULB. (2) MR-11 BULBS ARE INCLUDED.
- FOUNTAIN BODY:** PAINTED RESIN WITH NATURAL GREEN SLATE ON THE FRONT SURFACE, 38 CM (15") WIDTH x 4 CM (1-9/16") EXTENSION x 87 CM (34-1/4") HEIGHT, SHAPED AS SHOWN.
- RESERVOIR:** PAINTED RESIN (COPPER FINISH), 42.5 CM (16-3/4") WIDTH x 13 CM (5-1/8") EXTENSION x 16 CM (6-1/4") HEIGHT. SHAPED AS SHOWN.
- SPLASH GUARD:** PAINTED RESIN, 39 CM (15-3/8") WIDTH x 7 CM (2-3/4") EXTENSION x 1 CM (3/8") THICKNESS, SHAPED AS SHOWN.
- METAL FRAME:** PAINTED STEEL (BLACK FINISH), 81 CM (31-7/8") LENGTH x 36.8 CM (14-1/2") WIDTH, SHAPED AS SHOWN.
- CORDS:** UL LISTED, FROM PUMP TO LIGHT: MIN. 20 CM (8") LENGTH, FROM PUMP TO CONNECTOR: MIN 183 CM (6 FT.) LENGTH, FROM TRANSFORMER TO PLUG: MIN 183 CM (6 FT.) LENGTH, BLACK COLOR. WIRES MUST BE LEAD FREE. CORD COVER INCLUDED AND HAVE BEEN PAINTED AS COPPER FINISH.
- DECORATIVE RIVER STONES:** A BAG OF POLISHED RIVER STONES (2.2 LBS.) ARE INCLUDED.
- LABELS:** MANUFACTURING DATE, MODEL # AND COUNTRY OF ORIGIN LABEL PROVIDED.

PACKAGING AND SHIPPING DETAILS

- THE FOUNTAIN IS DISASSEMBLED FOR SHIPPING. THE COMPONENT PARTS ARE CAREFULLY WRAPPED AND PLACED IN THE INNER PACKING SO THAT THEY CAN NOT MOVE DURING SHIPPING. A SMALL BAG OF SILICA IS INCLUDED IN THE PACKAGE.
- THE CARTON IS MADE OF DOUBLE WALL CORRUGATED CARDBOARD "A MA A". BROWN IN COLOR. THE INNER PACKING IS DIE-CUT CARDBOARD AND/OR STYROFOAM SUFFICIENT TO PROTECT AND SECURE THE FOUNTAIN AND MUST PASS THE FEDEX DROP TEST REQUIREMENTS.
- EACH CARTON SHALL BE PRINTED WITH A LINE DRAWING AND THE KENROY HOME NAME AND LOGO, MODEL NUMBER, SKU NUMBER AND FINISH, EACH CARTON SHALL BE PROVIDED A UPC LABEL. THE UPC BAR CODE AS FOLLOWS: SL=053392104139.

OTHER DETAILS

- MODEL 50621SL INSTRUCTIONS ARE TO BE PACKED WITH EACH FOUNTAIN. INSTRUCTIONS MUST BE PRINTED CLEARLY ON QUALITY PAPER.
- ALL VISIBLE PARTS MUST MATCH FOUNTAIN FINISH UNLESS OTHERWISE SPECIFIED.
- ALL BAGS MUST BE LABELED WITH OFFICIAL "THIS BAG IS NOT A TOY" STATEMENT.
- ASSEMBLY TIME: 15 MINUTES.
- DIMS OF BOX: 115 CM (45-1/4") LENGTH x 20.3 CM (8") WIDTH x 49.5 CM (19-1/2") HEIGHT.
- NET WEIGHT: 50.6 LBS. GROSS WIEGHT: 55 LBS.

KENROY HOME 11660 CENTRAL PARKWAY JACKSONVILLE, FL. 32224 PHONE: 904-642-4340 FAX: 904-642-4150	THIS DOCUMENT AND THE INFORMATION THAT IT DISCLOSES IS THE EXCLUSIVE PROPERTY OF KENROY HOME. ANY REPRODUCTION OR USE OF THIS DRAWING IN PART OR IN WHOLE, WITHOUT THE EXPRESS CONSENT OF THE PROPRIETOR IS PROHIBITED. © 2009 KENROY HOME.			REVISION DATE:	MODEL #:
	DATE: 3/17/2009	SCALE: NONE	DRAWN BY: JAMES	REVISION DATE:	50621
	REFERENCE: BROOK OUTDOOR TABLE/WALL FOUNTAIN	APPROVAL:		REVISION DATE:	FINISHES: SL
				REVISION DATE:	PAGE: 2 OF 2