

MODEL: 50254

ASSEMBLY INSTRUCTIONS

READ AND SAVE THESE INSTRUCTIONS

UNPACK THE FOUNTAIN

YOU SHOULD HAVE RECEIVED THE FOLLOWING PARTS IN THE PACKAGE: UPPER LID, FOUNTAIN BODY, LOWER LID, RESERVOIR, FRAME, (4) SUBMERSIBLE HALOGEN BULBS, (2) SCREWS, (2) WASHERS, TRANSFORMER, SUBMERSIBLE PUMP AND A BAG OF RIVER STONES. TO PROTECT THE FINISH, PLACE ALL PARTS ON A SOFT SURFACE.

FOUNTAIN ASSEMBLY

1. FEED LIGHT POWER CORD UP THROUGH HOLE IN FOUNTAIN BODY STARTING AT BOTTOM OF FOUNTAIN BODY AND WORKING UPWARDS TOWARD TOP OF FOUNTAIN BODY.
2. ATTACH FOUNTAIN HOSE TO PUMP.
3. PLACE PUMP FLAT IN RESERVOIR.
4. PLACE FOUNTAIN BODY ONTO RESERVOIR THEN SECURE WITH WASHERS AND SCREWS.
5. PLACE THE FRAME ON RESERVOIR FROM TOP OF FOUNTAIN.
6. PLACE THE LOWER LID IN RESERVOIR AND PLACE RIVER STONES ON LOWER LID.
7. ATTACH BULBS TO BULB CLIPS ON LID. PLACE LID ON TOP OF FOUNTAIN BODY. (PLEASE RETAIN THE OTHER (2) SUBMERSIBLE HALOGEN BULBS FOR FUTURE BULB REPLACEMENT.)
8. FILL RESERVOIR WITH ENOUGH WATER TO COMPLETELY SUBMERSE PUMP. (DISTILLED WATER IS RECOMMENDED BY US IN THE FOUNTAIN TO REDUCE MINERAL DEPOSITS AND BACTERIA BUILD UP.)
9. JOIN THE CONNECTORS AT TRANSFORMER AND SCREW THE CAP TO CONNECTOR TIGHTLY TOGETHER.
10. PLUG THE POWER CORD INTO SOCKET. YOUR FOUNTAIN IS READY TO USE.

TROUBLE SHOOTING:

1. IF YOUR FOUNTAIN DOES NOT WORK, CHECK PLUG AT THE SOCKET. MAKE SURE THE PLUG IS FULLY AND PROPERLY INSERTED INTO THE WALL OUTLET.
2. NEXT CHECK TO MAKE SURE THE OUTLET IS POWERED.
3. IF THE FOUNTAIN STILL DOES NOT WORK, PLEASE CONTACT YOUR DISTRIBUTOR OR PLACE OF PURCHASE.

SPLASHING DISCLAIMER:

SPLASHING MAY OCCUR WHEN FOUNTAIN IS INITIALLY TURNED ON. PROTECT SURROUNDING SURFACES AS NEEDED.

IMPORTANT PUMP INFORMATION:

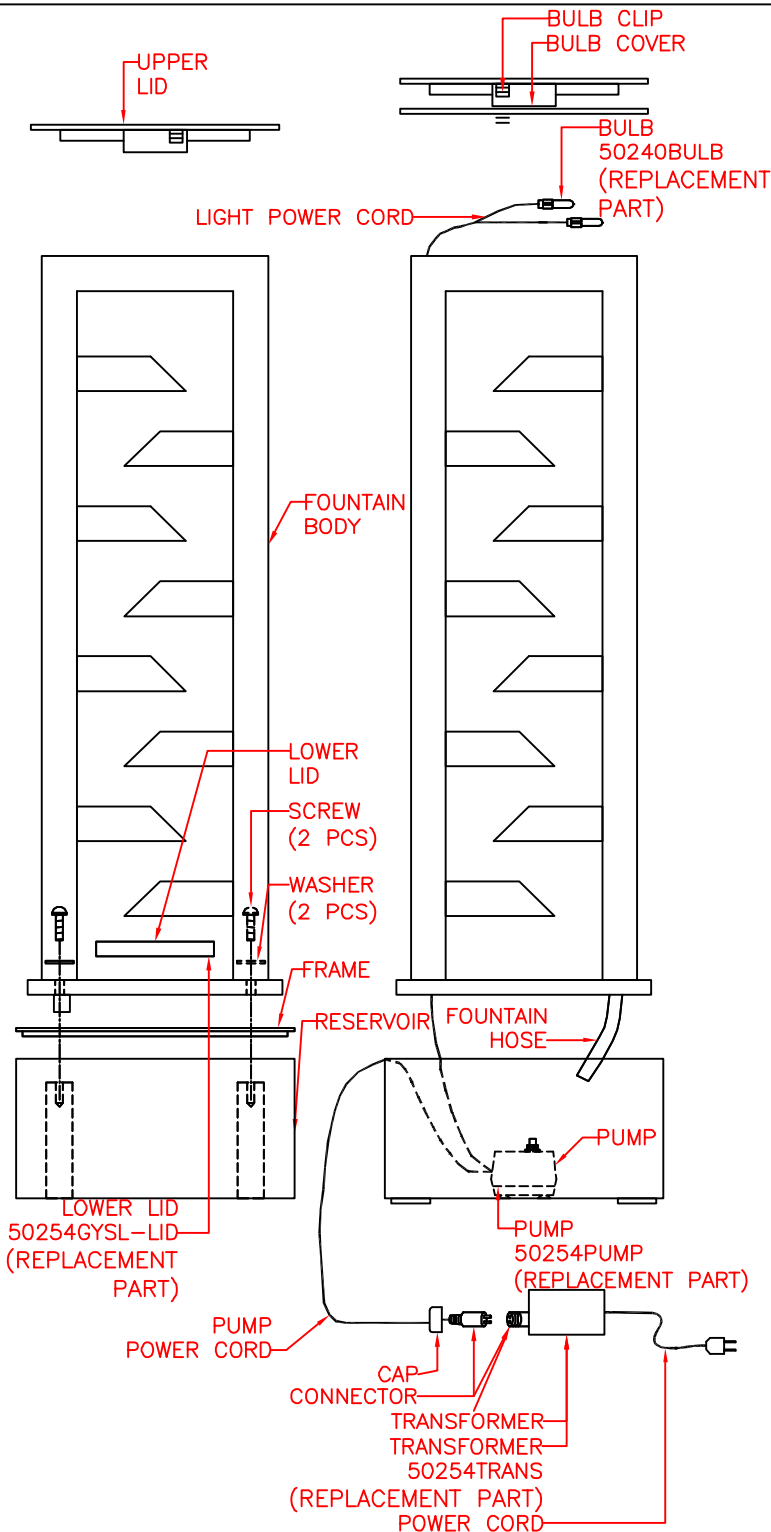
PUMP MUST BE FULLY SUBMERSED IN WATER WHILE OPERATING.

WATER:

TO REDUCE MINERAL DEPOSITS AND BACTERIA BUILD UP THE USE OF DISTILLED WATER IS RECOMMENDED.

WARNING:

ONCE A WEEK INSPECT FOUNTAIN, FLOOR AND ADJACENT WALL FOR MOISTURE BUILD-UP AND CLEAN AS NECESSARY. THIS IS ESPECIALLY IMPORTANT FOR HUMID ENVIRONMENTS.



IMPORTANT SAFETY INSTRUCTIONS:

THIS FOUNTAIN HAS A POLARIZED PLUG (ONE BLADE IS WIDER THAN THE OTHER) AS A FEATURE TO REDUCE THE RISK OF ELECTRIC SHOCK. THIS PLUG WILL FIT IN A POLARIZED OUTLET ONLY ONE WAY. IF THE PLUG DOES NOT FIT FULLY IN THE OUTLET, REVERSE THE PLUG. IF IT STILL DOES NOT FIT, CONTACT A QUALIFIED ELECTRICIAN. NEVER USE WITH AN EXTENSION CORD UNLESS PLUG CAN BE FULLY INSERTED. DO NOT ALTER THE PLUG.

AVAILABLE PARTS ARE:
50254TRANS (TRANSFORMER)
50254PUMP (PUMP)
50240BULB (BULB)
50254GYSL-LID (LOWER LID)