

PRODUCT SPECIFICATIONS

OVERALL ASSEMBLED DIMENSIONS

HEIGHT: 111.8 CM (44"), WIDTH: 64 CM (25-3/16") SQ.

PUMP: UL LISTED. 12V, 60HZ, MODEL: UL-JP900, CLASS 2 POWER UNITS. SUBMERSIBLE FOUNTAIN PUMP.

2 LIGHTS: UL LISTED. 12 V. 10 WATT, JC SUBMERSIBLE HALOGEN BULB. (4) BULBS ARE INCLUDED.

TRANSFORMER: UL LISTED. INPUT: 120V, 60HZ, OUTPUT: 12V.

FOUNTAIN BODY: PAINTED RESIN WITH FOUR SPOUTS (CONCRETE TEXTURE), 22 CM (8-5/8") SQ. x 52 CM (20-1/2") HEIGHT.

RESERVOIR: PAINTED RESIN (CONCRETE TEXTURE), 64 CM (25-3/16") SQ. x 24 CM (9-7/16") HEIGHT.

COLUMN: PAINTED RESIN (CONCRETE TEXTURE), 23 CM (9-1/8") SQ. x 49 CM (19-5/16") HEIGHT.

BASE: PAINTED RESIN (CONCRETE TEXTURE), 31 CM (12-3/16") SQ. x 10 CM (3-7/8") HEIGHT.

CORD: UL LISTED, FROM PUMP TO CONNECTOR: MIN 183 CM (6') LENGTH, FROM TRANSFORMER TO PLUG: MIN 183 CM (6') LENGTH, BLACK COLOR. WIRES MUST BE LEAD FREE.

LABELS: MANUFACTURING DATE, MODEL # AND COUNTRY OF ORIGIN LABEL PROVIDED.

PACKAGING AND SHIPPING DETAILS

THE FOUNTAIN IS DISASSEMBLED FOR SHIPPING. THE COMPONENT PARTS ARE CAREFULLY WRAPPED AND PLACED IN THE INNER PACKING SO THAT THEY CAN NOT MOVE DURING SHIPPING. A SMALL BAG OF SILICA IS INCLUDED IN THE PACKAGE.

THE CARTON IS MADE OF DOUBLE WALL CORRUGATED CARDBOARD "A MA A". BROWN IN COLOR. THE INNER PACKING IS DIE-CUT CARDBOARD AND/OR STYROFOAM SUFFICIENT TO PROTECT AND SECURE THE FOUNTAIN AND MUST PASS THE FEDEX DROP TEST REQUIREMENTS.

EACH CARTON SHALL BE PRINTED WITH A LINE DRAWING AND THE KENROY HOME NAME AND LOGO, MODEL NUMBER, SKU NUMBER AND FINISH, EACH CARTON SHALL BE PROVIDED A UPC LABEL. THE UPC BAR CODE AS FOLLOWS: LS=053392097158.

OTHER DETAILS

MODEL 53215LS INSTRUCTIONS ARE TO BE PACKED WITH EACH FOUNTAIN. INSTRUCTIONS MUST BE PRINTED CLEARLY ON QUALITY PAPER.

ALL VISIBLE PARTS MUST MATCH FOUNTAIN FINISH UNLESS OTHERWISE SPECIFIED.

ALL BAGS MUST BE LABELED WITH OFFICIAL "THIS BAG IS NOT A TOY" STATEMENT.

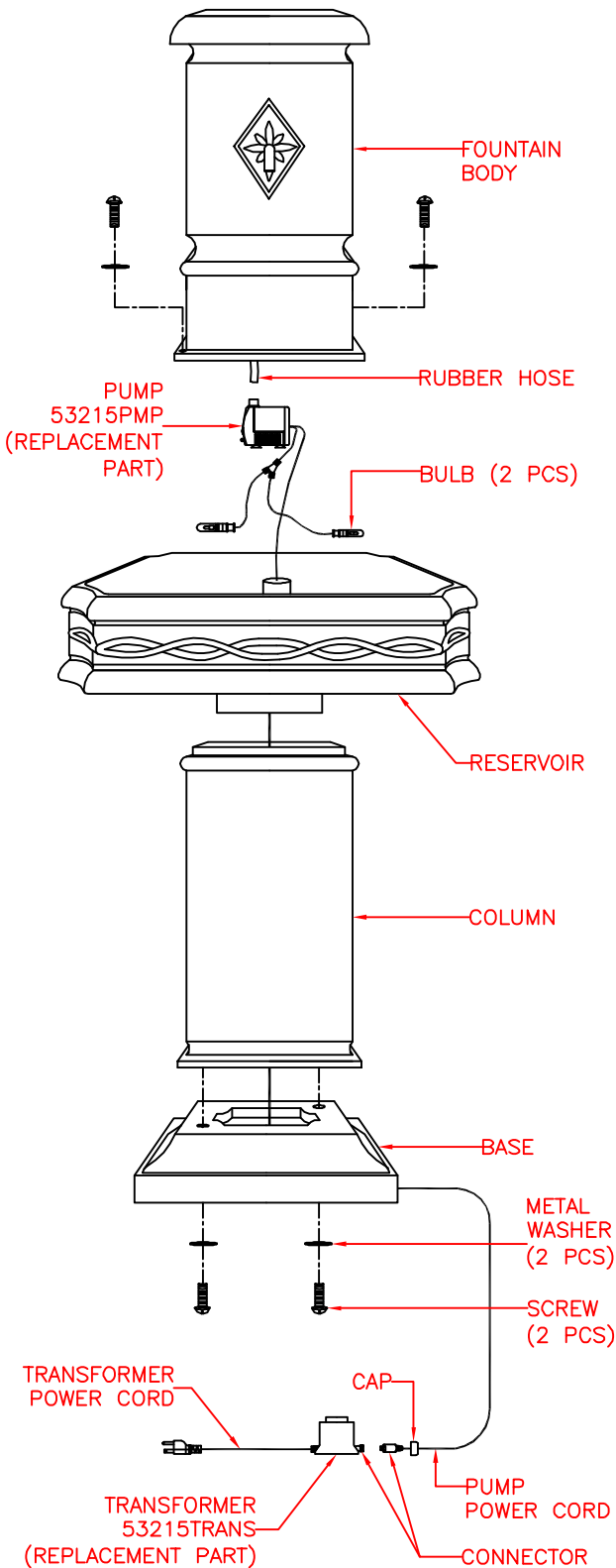
ASSEMBLY TIME: 15 MINUTES.

DIMS OF BOX: 70.8 CM (27-7/8") LENGTH x 70.8 CM (27-7/8") WIDTH x 47.6 CM (18-3/4") HEIGHT.

NET WEIGHT: 56.5 LBS. GROSS WIEGHT: 61.6 LBS.

AVAILABLE PARTS ARE:

53215PMP (PUMP)
53215TRANS (TRANSFORMER)



**KENROY
HOME**

11660 CENTRAL PARKWAY
JACKSONVILLE, FL. 32224
PHONE: 904-642-4340
FAX: 904-642-4150

THIS DOCUMENT AND THE INFORMATION THAT IT DISCLOSES IS THE EXCLUSIVE PROPERTY OF KENROY HOME. ANY REPRODUCTION OR USE OF THIS DRAWING IN PART OR IN WHOLE, WITHOUT THE EXPRESS CONSENT OF THE PROPRIETOR IS PROHIBITED. © 2008 KENROY HOME.

DATE: 7/28/2008

SCALE: NONE

DRAWN BY: JAMES

REFERENCE:
GARDEN STAR INDOOR/OUTDOOR FLOOR FOUNTAIN

APPROVAL:

REVISION DATE:
7/10/09 change KD

REVISION DATE:

REVISION DATE:

REVISION DATE:

MODEL #:

53215

FINISHES:

LS

PAGE: 1 OF: 1