

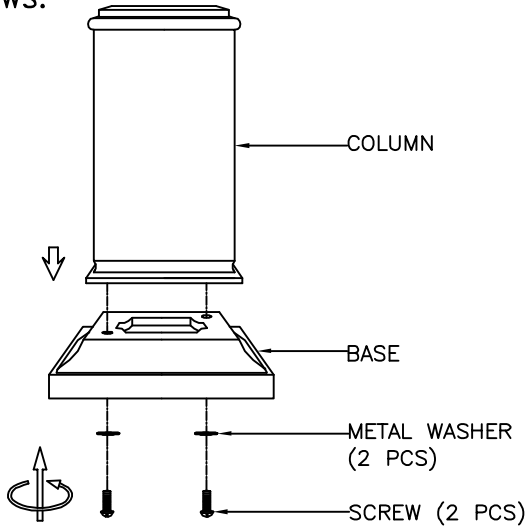
MODEL: 53215LS
ASSEMBLY INSTRUCTIONS
 READ AND SAVE THESE INSTRUCTIONS

UNPACK THE FOUNTAIN

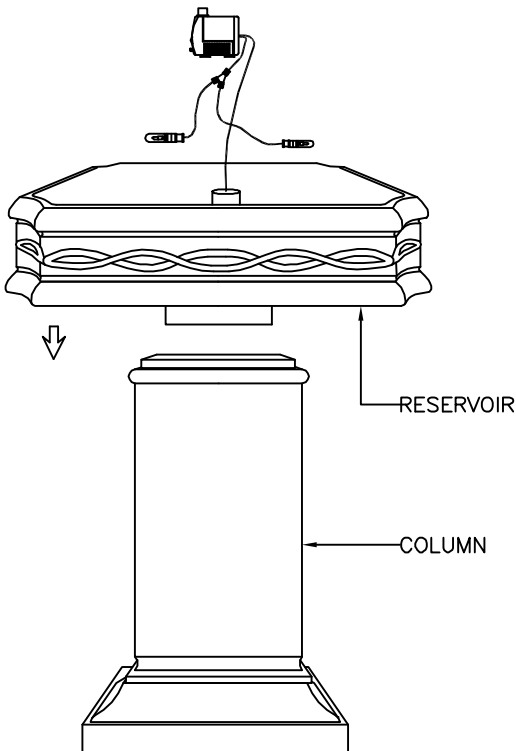
YOU SHOULD HAVE RECEIVED THE FOLLOWING PARTS:
 FOUNTAIN BODY, PUMP WITH LIGHTS, RESERVOIR, COLUMN,
 BASE, (4) METAL WASHER, (4) SCREWS AND TRANSFORMER.

FOUNTAIN ASSEMBLY

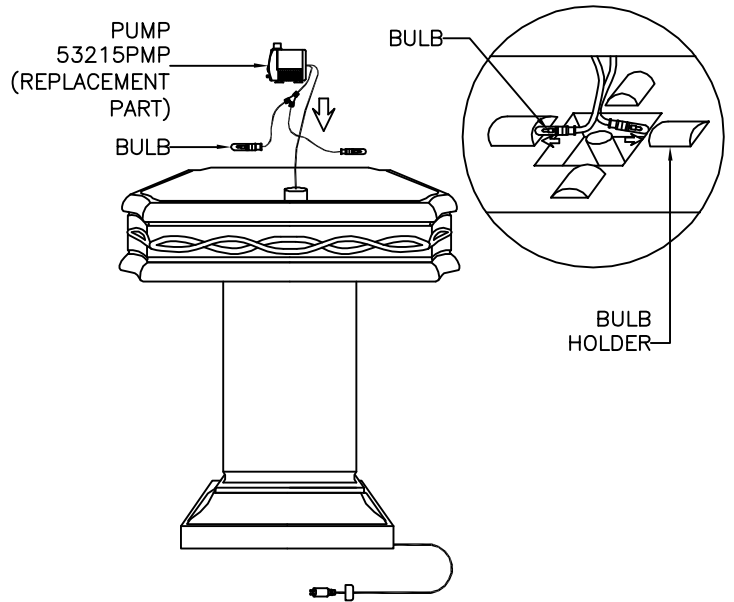
1. PLACE COLUMN ONTO BASE, THEN SECURE WITH (2) METAL WASHERS AND (2) SCREWS.



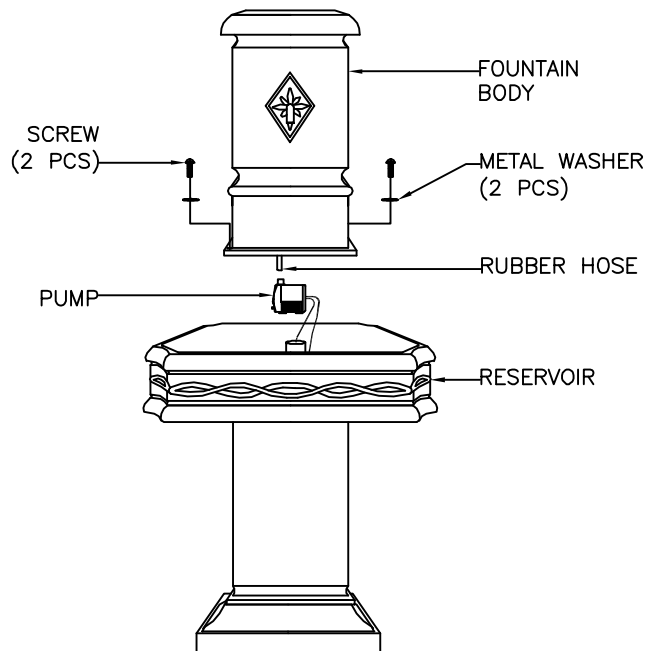
2. PLACE RESERVOIR ONTO COLUMN.



3. PLACE PUMP INTO RESERVOIR AND INSERT BULBS THROUGH BULB HOLDERS WITH THE FRONT OF THE BULBS EXITS OUT OF THE BULB HOLDERS. (FOUR SPACES FOR CUSTOMER OPTION OF PLACEMENT)



4. ATTACH RUBBER HOSE TO PUMP, THEN PLACE FOUNTAIN BODY INTO RESERVOIR, THEN SECURE WITH (2) METAL WASHERS AND (2) SCREWS, MAKE SURE THE PUMP SITS FLAT IN RESERVOIR.

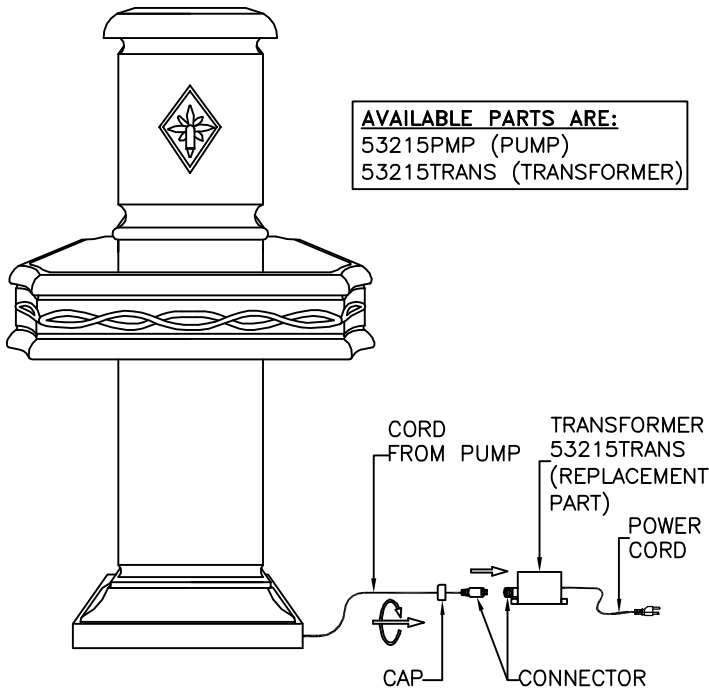


MODEL: 53215LS
ASSEMBLY INSTRUCTIONS
 READ AND SAVE THESE INSTRUCTIONS

FOUNTAIN ASSEMBLY

5. FILL RESERVOIR WITH 4.8 GALLONS OF WATER TO COMPLETELY SUBMERSE THE PUMP.

NOTE: DISTILLED WATER IS RECOMMENDED TO REDUCE MINERAL DEPOSITS AND BACTERIA BUILD-UP.



6. JOIN THE CONNECTORS AT TRANSFORMER AND SCREW THE CAP TIGHTLY TOGETHER.

7. PLUG POWER CORD INTO OUTLET, YOUR NEW FOUNTAIN IS READY FOR USE.

TROUBLE SHOOTING:

1. IF YOUR FOUNTAIN DOES NOT WORK, CHECK PLUG AT THE SOCKET. MAKE SURE THE PLUG IS FULLY AND PROPERLY INSERTED INTO THE WALL OUTLET.
2. NEXT CHECK TO MAKE SURE THE OUTLET IS POWERED.
3. IF THE FOUNTAIN STILL DOES NOT WORK, PLEASE CONTACT YOUR DISTRIBUTOR OR PLACE OF PURCHASE.

SPLASHING DISCLAIMER:

SPLASHING MAY OCCUR WHEN FOUNTAIN IS INITIALLY TURNED ON. PROTECT SURROUNDING SURFACES AS NEEDED.

IMPORTANT PUMP INFORMATION:

PUMP MUST BE FULLY SUBMERSED IN WATER WHILE OPERATING.

WATER:

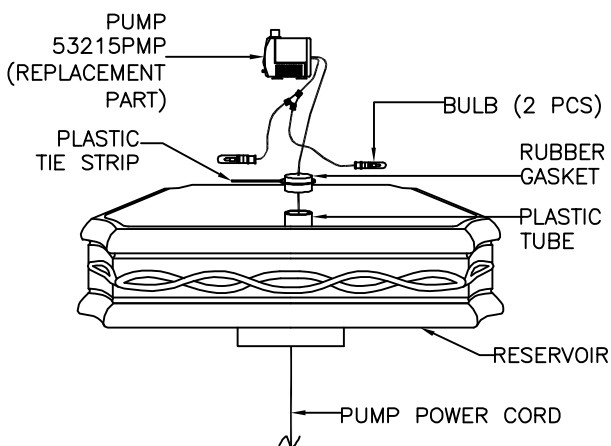
TO REDUCE MINERAL DEPOSITS AND BACTERIA BUILD UP THE USE OF DISTILLED WATER IS RECOMMENDED.

WARNING:

* ONCE A WEEK INSPECT FOUNTAIN, FLOOR AND ADJACENT WALL FOR MOISTURE BUILD-UP AND CLEAN AS NECESSARY. THIS IS ESPECIALLY IMPORTANT FOR HUMID ENVIRONMENTS.

** THIS FOUNTAIN IS RATED FOR INDOOR & OUTDOOR USE.

*** THIS UNIT MUST BE CONNECTED TO A SUPPLY CIRCUIT THAT IS PROTECTED BY A GROUND FAULT CIRCUIT INTERRUPTER (GFCI). THE GFCI SHOULD BE TESTED ON A ROUTINE BASIS. TO TEST THE GFCI, PUSH THE TEST BUTTON. THE GFCI SHOULD INTERRUPT POWER. PUSH THE RESET BUTTON. POWER SHOULD BE RESTORED. IF THE GFCI FAILS TO OPERATE IN THIS MANNER, THE GFCI IS DEFECTIVE.



PUMP REPLACEMENT:

1. UNPLUG THE FOUNTAIN.
2. DISASSEMBLE THE FOUNTAIN AS NECESSARY TO EXPOSE RESERVOIR.
3. REMOVE ALL WATER FROM RESERVOIR.
4. SNIP THE PLASTIC TIE STRIP.
5. PEEL BACK RUBBER GASKET FROM PLASTIC TUBE.
6. PULL OLD PUMP FROM FOUNTAIN.
7. THREAD CORD FOR NEW PUMP THROUGH PLASTIC TUBE AS SHOWN.
8. PLACE RUBBER GASKET OVER PLASTIC TUBE AND SECURE BY TIGHTENING A NEW PLASTIC TIE STRIP (INCLUDED).
9. REASSEMBLE THE FOUNTAIN WITH NEW PUMP.