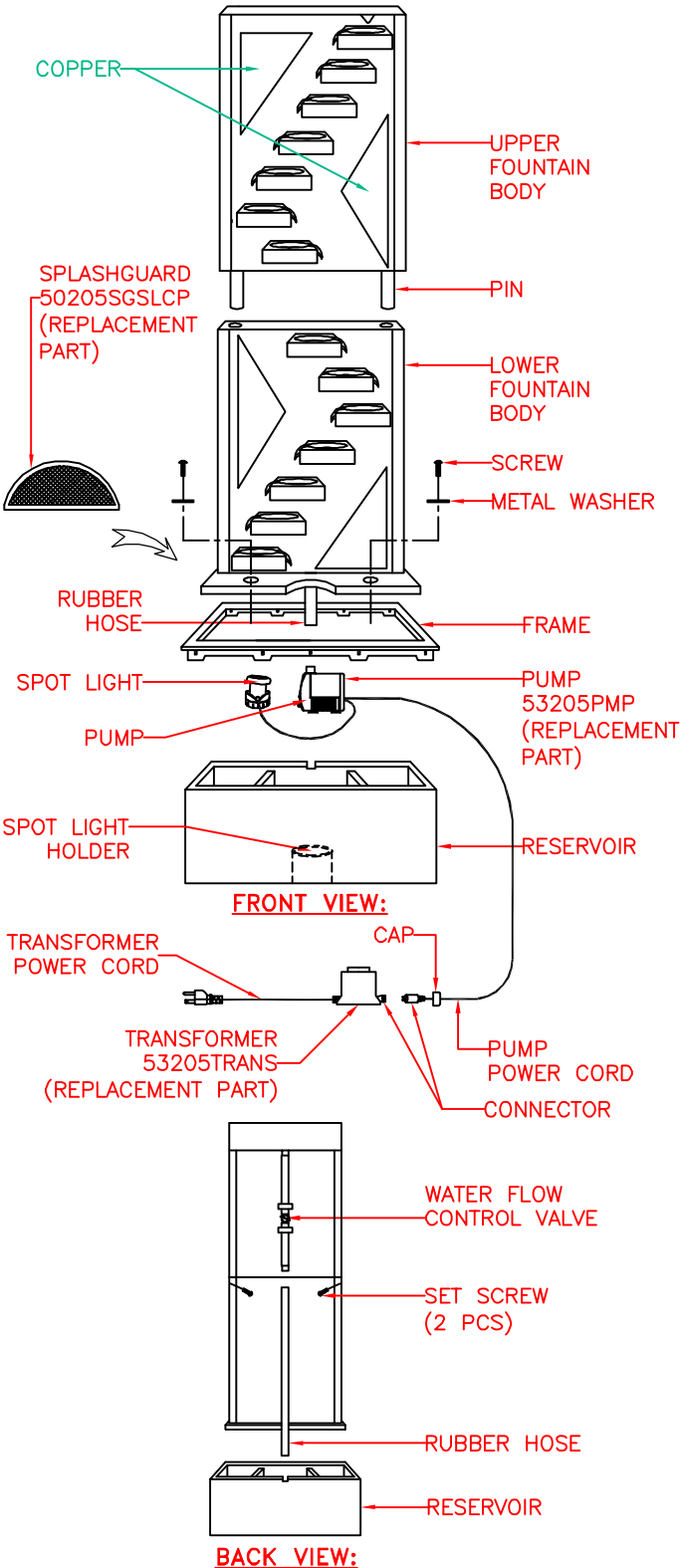


MR-11 BULB
53205BLB
(REPLACEMENT
PART)

AVAILABLE PARTS ARE:
53205PMP (PUMP)
53205BLB (MR-11 BULB)
53205TRANS (TRANSFORMER)
53205SGSLCP (SPLASHGUARD)



PRODUCT SPECIFICATIONS

- OVERALL ASSEMBLED DIMENSIONS**
HEIGHT: 119.4 CM (47"), LENGTH: 40.6 CM (16"),
WIDTH: 20.3 CM (8").
- PUMP:** UL LISTED. 12V, 60HZ, MODEL: UL-388, CLASS 2
POWER UNITS. SUBMERSIBLE FOUNTAIN PUMP.
- TRANSFORMER:** UL LISTED. MODEL: JBA57U-12-2300U, INPUT:
120V, 60HZ, OUTPUT: 12V.
- 1 LIGHT:** UL LISTED, 12 V. 10 WATT, MR-11 BULB. (2) MR11
BULBS ARE INCLUDED.
- FOUNTAIN BODY:** NATURAL GREEN SLATE WITH COPPER ACCENT,
UPPER FOUNTAIN BODY: 34.5 CM (13-9/16") LENGTH x 13
CM (8-1/8") WIDTH x 51 CM (20") HEIGHT, LOWER FOUNTAIN
BODY: 36.6 CM (14-3/8") LENGTH x 16.5 CM (6-1/2")
WIDTH x 53 CM (20-7/8") HEIGHT, SHAPED AS SHOWN.
- RESERVOIR:** PAINTED PLASTIC, 40.6 CM (16") LENGTH x 20.3
CM (8") WIDTH x 20.3 CM (8") HEIGHT, SHAPED AS SHOWN.
- CORD:** UL LISTED, FROM PUMP TO LIGHT: MIN. 35 CM
(13-3/4") LENGTH, FROM PUMP TO CONNECTOR: MIN 183 CM
(6 FT.) LENGTH, FROM TRANSFORMER TO PLUG: MIN 183 CM
(6 FT.) LENGTH, BLACK COLOR. WIRES MUST BE LEAD FREE.
- DECORATIVE RIVER STONES:** A BAG OF RIVER STONES (1 KGS.)
ARE INCLUDED.
- TAGS:** MANUFACTURING DATE, MODEL # AND COUNTRY OF
ORIGIN LABEL PROVIDED.

PACKAGING AND SHIPPING DETAILS

- THE FOUNTAIN IS DISASSEMBLED FOR SHIPPING. THE
COMPONENT PARTS ARE CAREFULLY WRAPPED AND PLACED IN
THE INNER PACKING SO THAT THEY CAN NOT MOVE DURING
SHIPPING. A SMALL BAG OF SILICA IS INCLUDED IN THE
PACKAGE.
- THE CARTON IS MADE OF DOUBLE WALL CORRUGATED
CARDBOARD "A MA A". BROWN IN COLOR. THE INNER PACKING
IS DIE-CUT CARDBOARD AND/OR STYROFOAM SUFFICIENT TO
PROTECT AND SECURE THE FOUNTAIN AND MUST PASS THE
FEDEX DROP TEST REQUIREMENTS.
- EACH CARTON SHALL BE PRINTED WITH A LINE DRAWING AND
THE KENROY NAME AND LOGO, MODEL NUMBER, SKU NUMBER
AND FINISH, EACH CARTON SHALL BE PROVIDED A UPC LABEL.
THE UPC BAR CODE AS FOLLOWS: SLCP=053392097035.

OTHER DETAILS

- MODEL 53205SLCP INSTRUCTIONS ARE TO BE PACKED WITH
EACH FOUNTAIN. INSTRUCTIONS MUST BE PRINTED CLEARLY ON
QUALITY PAPER.
- ALL VISIBLE PARTS MUST MATCH FOUNTAIN FINISH UNLESS
OTHERWISE SPECIFIED.
- ALL BAGS MUST BE LABELED WITH OFFICIAL "THIS BAG IS NOT
A TOY" STATEMENT.
- ASSEMBLY TIME: 20 MINUTES.
- DIMS OF BOX: 84.8 CM (33-3/8") LENGTH x 34.6 CM
(13-5/8") WIDTH x 45.4 CM (17-7/8") HEIGHT.
- NET WEIGHT: 52.8 LBS. GROSS WIEGHT: 57.9 LBS.

**KENROY
HOME**

11660 CENTRAL PARKWAY
JACKSONVILLE, FL. 32224
PHONE: 904-642-4340
FAX: 904-642-4150

THIS DOCUMENT AND THE INFORMATION THAT IT DISCLOSES IS THE EXCLUSIVE
PROPERTY OF KENROY HOME. ANY REPRODUCTION OR USE OF THIS
DRAWING IN PART OR IN WHOLE, WITHOUT THE EXPRESS CONSENT OF THE
PROPRIETOR IS PROHIBITED. © 2008 KENROY HOME.

DATE: 7/29/2008

SCALE: NONE

DRAWN BY: JAMES

REFERENCE:
TRAVERSE FLOOR FOUNTAIN

APPROVAL:

REVISION DATE:

MODEL #:

REVISION DATE:

53205

REVISION DATE:

FINISHES:

SLCP

REVISION DATE:

PAGE: 1 OF 1