

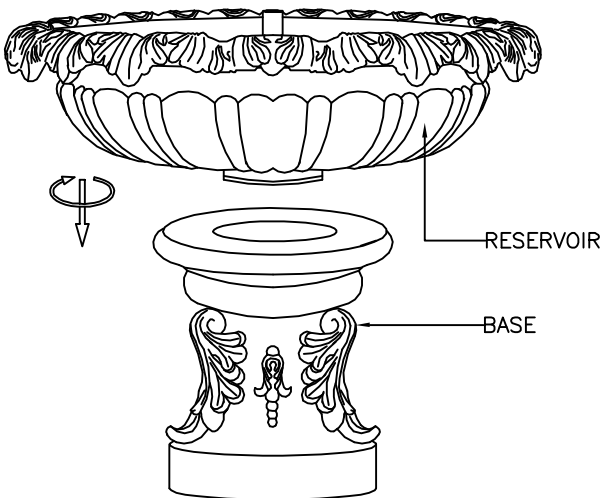
MODEL: 53200PLBZ
ASSEMBLY INSTRUCTIONS
 READ AND SAVE THESE INSTRUCTIONS

UNPACK THE FOUNTAIN

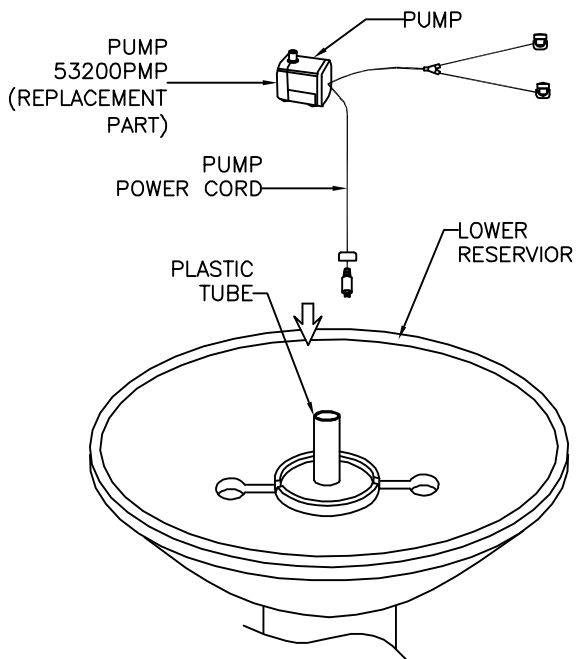
YOU SHOULD HAVE RECEIVED THE FOLLOWING PARTS:
 UPPER COLUMN, LOWER COLUMN, PUMP WITH (2) SPOT
 LIGHTS, (2) EXTRA BULBS, RESERVOIR, BASE, (3) SHIMS
 AND TRANSFORMER.

FOUNTAIN ASSEMBLY

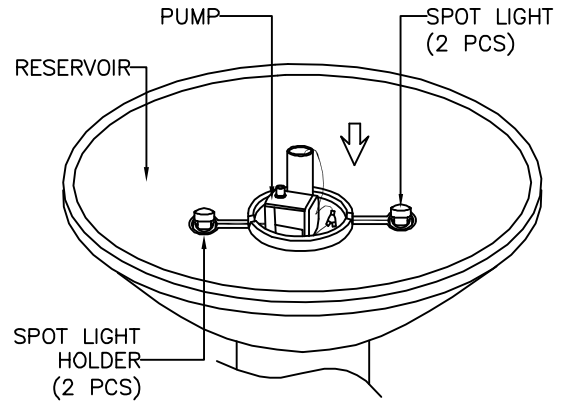
1. PLACE RESERVOIR ON TOP OF BASE AND
 ROTATE THE RESERVOIR CLOCKWISE TO SECURE.



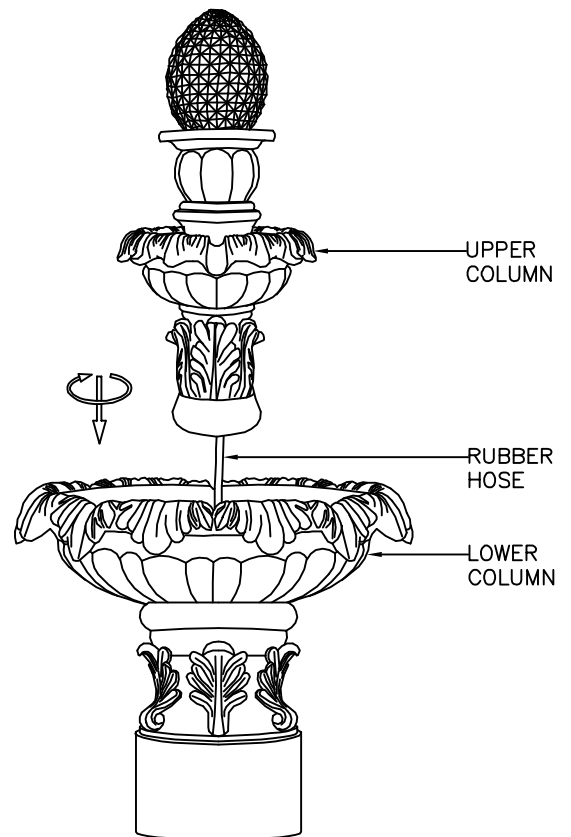
2. FEED THE PUMP POWER CORD THROUGH THE
 PLASTIC TUBE TOWARD BOTTOM OF BASE, CORD
 EXITS OUT FROM CHANNEL ON THE BOTTOM OF
 THE BASE.



3. PLACE PUMP FLAT IN RESERVOIR AND
 PLACE (2) SPOT LIGHTS INTO SPOT LIGHT
 HOLDERS.



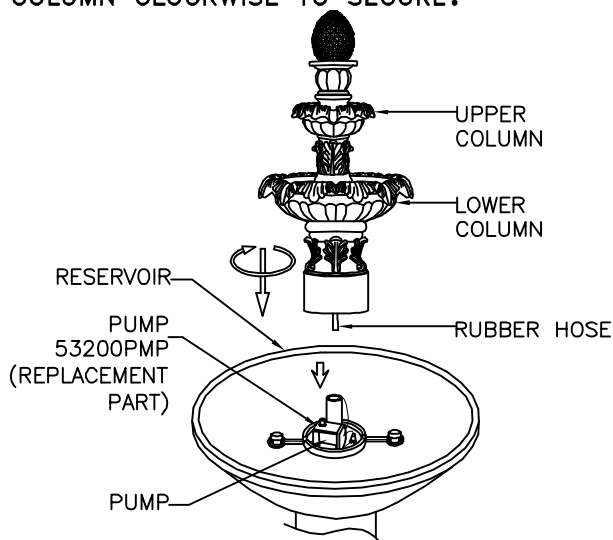
4. PLACE UPPER COLUMN INTO LOWER
 COLUMN AND ROTATE THE UPPER COLUMN
 CLOCKWISE TO SECURE.



MODEL: 53200PLBZ
ASSEMBLY INSTRUCTIONS
READ AND SAVE THESE INSTRUCTIONS

FOUNTAIN ASSEMBLY

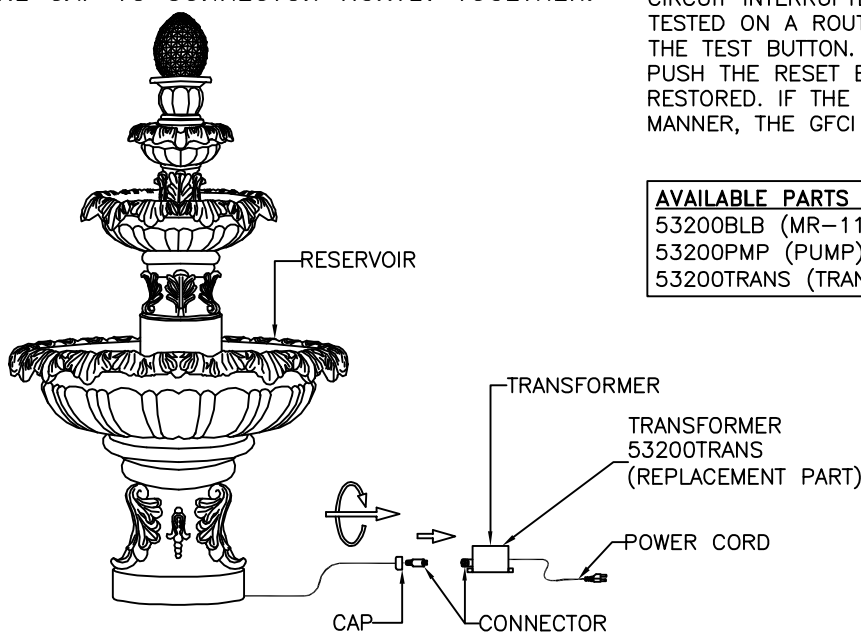
5. LIFT THE UPPER COLUMN AND LOWER COLUMN, ATTACH RUBBER HOSE TO PUMP, THEN PLACE THE UPPER COLUMN AND LOWER COLUMN INTO RESERVOIR AND ROTATE THE LOWER COLUMN CLOCKWISE TO SECURE.



6. FILL RESERVOIR WITH 3.8 GALLONS OF WATER TO COMPLETELY SUBMERSE THE PUMP.

NOTE: DISTILLED WATER IS RECOMMENDED TO REDUCE MINERAL DEPOSITS AND BACTERIA BUILD-UP.)

7. JOIN THE CONNECTORS AT TRANSFORMER AND SCREW THE CAP TO CONNECTOR TIGHTLY TOGETHER.



8. PLUG POWER CORD INTO SOCKET, YOUR NEW FOUNTAIN IS READY FOR USE.

9. ONCE FOUNTAIN IS RUNNING, USE THE INCLUDED SHIMS TO LEVEL FOR BEST RESULT.

TROUBLE SHOOTING:

1. IF YOUR FOUNTAIN DOES NOT WORK, CHECK PLUG AT THE SOCKET. MAKE SURE THE PLUG IS FULLY AND PROPERLY INSERTED INTO THE WALL OUTLET.
2. NEXT CHECK TO MAKE SURE THE OUTLET IS POWERED.
3. IF THE FOUNTAIN STILL DOES NOT WORK, PLEASE CONTACT YOUR DISTRIBUTOR OR PLACE OF PURCHASE.

SPLASHING DISCLAIMER:

SPLASHING MAY OCCUR WHEN FOUNTAIN IS INITIALLY TURNED ON. PROTECT SURROUNDING SURFACES AS NEEDED.

IMPORTANT PUMP INFORMATION:

PUMP MUST BE FULLY SUBMERSED IN WATER WHILE OPERATING.

WATER:

TO REDUCE MINERAL DEPOSITS AND BACTERIA BUILD UP THE USE OF DISTILLED WATER IS RECOMMENDED.

WARNING:

* ONCE A WEEK INSPECT FOUNTAIN, FLOOR AND ADJACENT WALL FOR MOISTURE BUILD-UP AND CLEAN AS NECESSARY. THIS IS ESPECIALLY IMPORTANT FOR HUMID ENVIRONMENTS.

** THIS FOUNTAIN IS RATED FOR INDOOR & OUTDOOR USE.

*** THIS UNIT MUST BE CONNECTED TO A SUPPLY CIRCUIT THAT IS PROTECTED BY A GROUND FAULT CIRCUIT INTERRUPTER (GFCI). THE GFCI SHOULD BE TESTED ON A ROUTINE BASIS. TO TEST THE GFCI, PUSH THE TEST BUTTON. THE GFCI SHOULD INTERRUPT POWER. PUSH THE RESET BUTTON. POWER SHOULD BE RESTORED. IF THE GFCI FAILS TO OPERATE IN THIS MANNER, THE GFCI IS DEFECTIVE.

AVAILABLE PARTS ARE:
 53200BLB (MR-11 BULB)
 53200PMP (PUMP)
 53200TRANS (TRANSFORMER)