

MODEL: 50120  
**ASSEMBLY INSTRUCTIONS**  
READ AND SAVE THESE INSTRUCTIONS

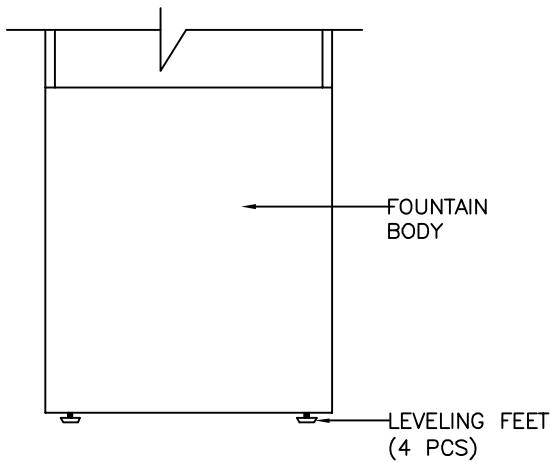
**UNPACK THE FOUNTAIN**

YOU SHOULD HAVE RECEIVED THE FOLLOWING PARTS:  
 LIGHT ASSEMBLY WITH (2) SCREWS, (3) MR-16 BULBS,  
 FOUNTAIN BODY, SPLASHGUARD, PUMP AND TRANSFORMER.

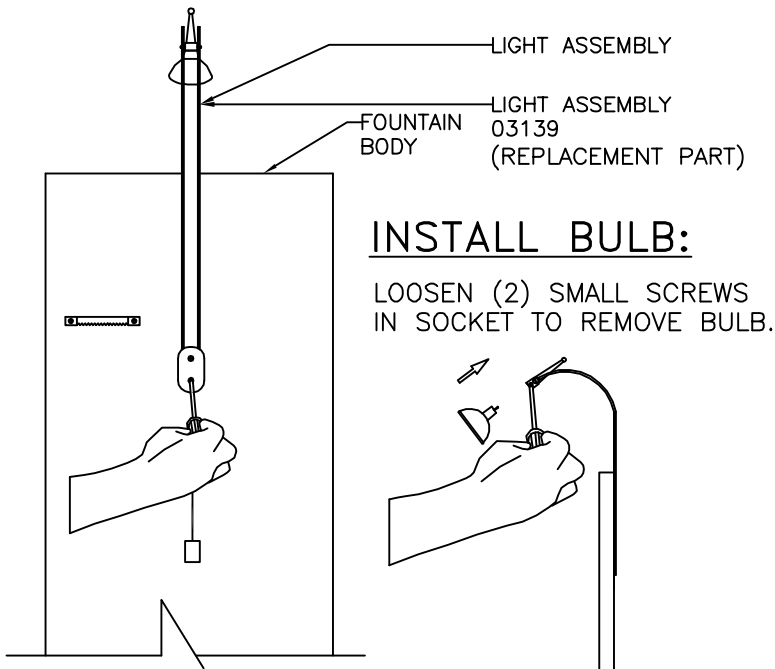
**TOOLS NEEDED (NOT SUPPLIED):** SCREWDRIVER.

**FOUNTAIN ASSEMBLY**

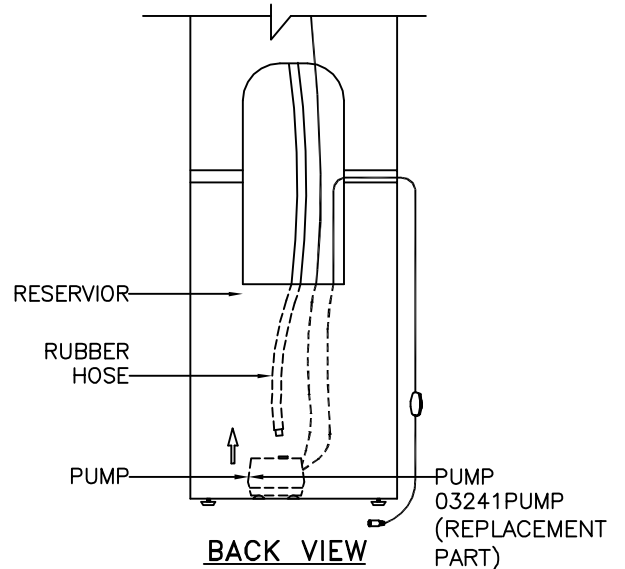
1. ADJUST LEVELING FEET ON BOTTOM OF FOUNTAIN BODY TO MAKE SURE THE FOUNTAIN BODY SITS LEVEL ON THE FLOOR.



2. ATTACH LIGHT ASSEMBLY TO BACK OF FOUNTAIN BODY WITH (2) SCREWS, THEN INSTALL A MR-16 BULB.  
 (FREE REPLACEMENT BULBS INCLUDED)

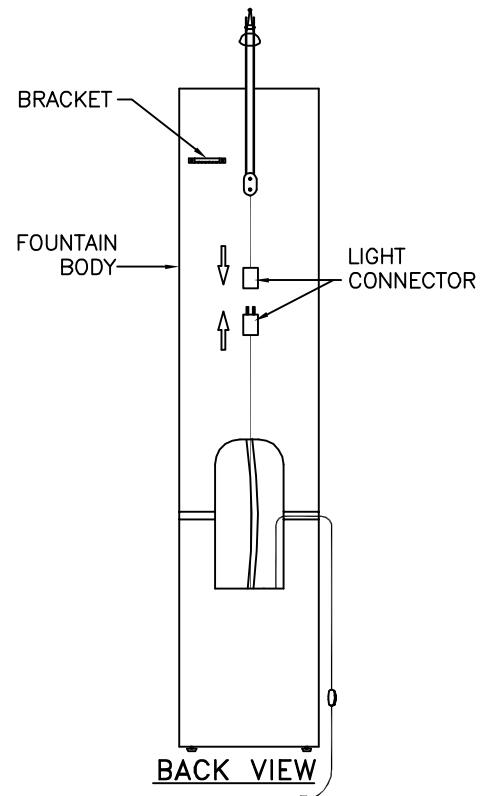


3. ATTACH RUBBER HOSE TO PUMP AND PLACE PUMP FLAT IN RESERVIOR.



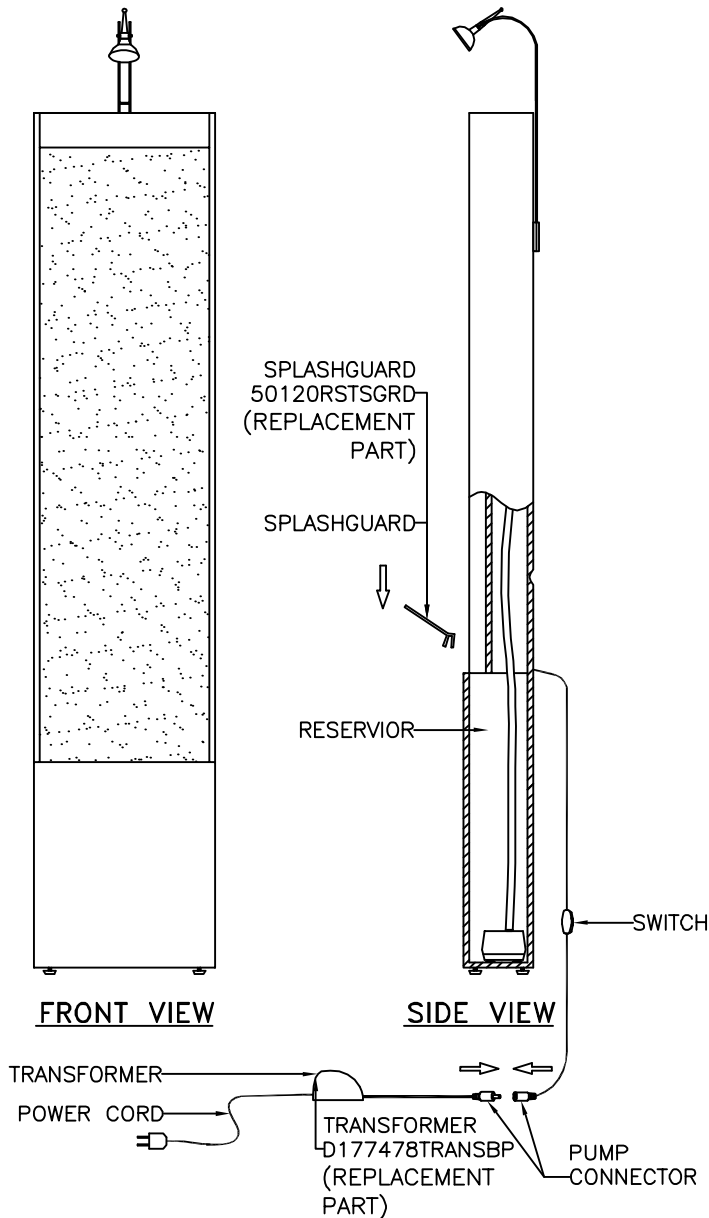
4. JOIN THE LIGHT CONNECTORS TOGETHER.  
 5. **OPTIONAL:** TO PREVENT FOUNTAIN FROM TILTING, IT CAN BE ATTACHED TO THE WALL. MEASURE DISTANCE FROM FLOOR TO BRACKET ON BACK OF FOUNTAIN.  
 6. PLACE HOOK OR NAIL (NOT INCLUDED) IN WALL AND SECURE FOUNTAIN TO WALL BY PLACING HOOK OR NAIL IN BRACKET.

**IMPORTANT NOTE:** FOUNTAIN BODY MUST SIT ON FLOOR, NOT HANG ON WALL.



MODEL: 50120  
**ASSEMBLY INSTRUCTIONS**

7. ATTACH SPLASHGUARD TO EDGE OF RESERVIOR.



8. FILL RESERVIOR WITH ENOUGH WATER TO COMPLETELY SUBMERSE PUMP. (DISTILLED WATER IS RECOMMENDED TO REDUCE MINERAL DEPOSITS AND BACTERIA BUILD-UP.)

9. JOIN THE PUMP CONNECTORS TOGETHER AND PLUG THE POWER CORD INTO SOCKET AND TURN ON AT SWITCH, YOUR FOUNTAIN IS READY TO USE.

AVAILABLE PARTS ARE:  
 50120RSTSGRD (SPLASHGUARD)  
 D177478TRANSBP (TRANSFORMER)  
 03241PUMP (PUMP)  
 03139 (LIGHT ASSEMBLY)

**TROUBLE SHOOTING**

1. IF YOUR FOUNTAIN DOES NOT WORK, CHECK PLUG AT THE SOCKET. MAKE SURE THE PLUG IS FULLY AND PROPERLY INSERTED INTO THE WALL OUTLET.
2. NEXT CHECK TO MAKE SURE THE OUTLET IS POWERED.
3. IF THE FOUNTAIN STILL DOES NOT WORK, PLEASE CONTACT YOUR DISTRIBUTOR OR PLACE OF PURCHASE.

**SPLASHING DISCLAIMER**

SPLASHING MAY OCCUR WHEN FOUNTAIN IS INITIALLY TURNED ON. PROTECT SURROUNDING SURFACES AS NEEDED.

**IMPORTANT PUMP INFORMATION**

PUMP MUST BE FULLY SUBMERSED IN WATER WHILE OPERATING.

**WATER**

TO REDUCE MINERAL DEPOSITS AND BACTERIA BUILD UP, THE USE OF DISTILLED WATER IS RECOMMENDED.

**IMPORTANT SAFETY INSTRUCTIONS**

THIS FOUNTAIN HAS A POLARIZED PLUG (ONE BLADE IS WIDER THAN THE OTHER) AS A FEATURE TO REDUCE THE RISK OF ELECTRIC SHOCK. THIS PLUG WILL FIT IN A POLARIZED OUTLET ONLY ONE WAY. IF THE PLUG DOES NOT FIT FULLY IN THE OUTLET, REVERSE THE PLUG. IF IT STILL DOES NOT FIT, CONTACT A QUALIFIED ELECTRICIAN. NEVER USE WITH AN EXTENSION CORD UNLESS PLUG CAN BE FULLY INSERTED. DO NOT ALTER THE PLUG.

**WARNING**

\* THIS FOUNTAIN IS RATED FOR INDOOR USE ONLY.

\*\* ONCE A WEEK INSPECT FOUNTAIN, FLOOR AND ADJACENT WALL FOR MOISTURE BUILD-UP AND CLEAN AS NECESSARY. THIS IS ESPECIALLY IMPORTANT FOR HUMID ENVIRONMENTS.

\*\*\* THIS UNIT MUST BE CONNECTED TO A SUPPLY CIRCUIT THAT IS PROTECTED BY A GROUND FAULT CIRCUIT INTERRUPTER (GFCI). THE GFCI SHOULD BE TESTED ON A ROUTINE BASIS. TO TEST THE GFCI, PUSH THE TEST BUTTON. THE GFCI SHOULD INTERRUPT POWER. PUSH THE RESET BUTTON. POWER SHOULD BE RESTORED. IF THE GFCI FAILS TO OPERATE IN THIS MANNER, THE GFCI IS DEFECTIVE.

\*\*\*\* THE FOUNTAIN IS FOR FLOOR USE ONLY, WALL BRACKET IS FOR ADDED STABILITY. FOUNTAIN MUST MAINTAIN CONTACT WITH LEVEL FLOOR OPERATE PROPERLY.