

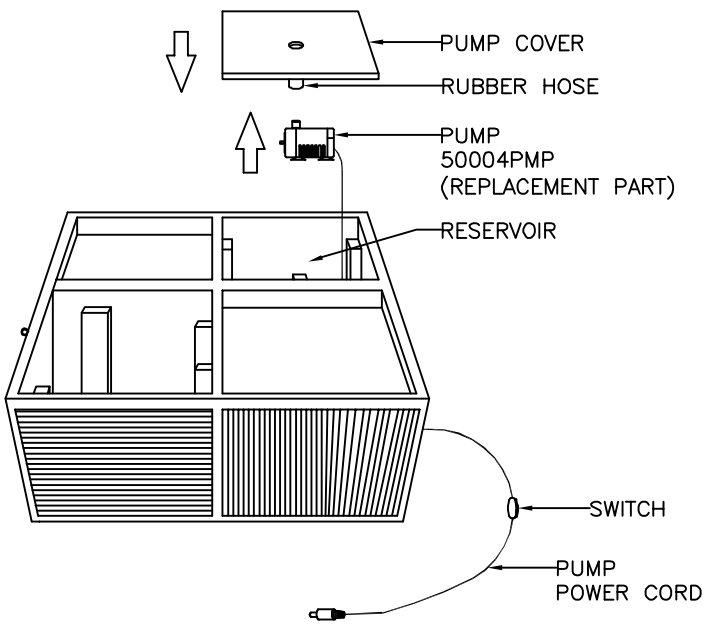
MODEL: 50004BRZ
ASSEMBLY INSTRUCTIONS
 READ AND SAVE THESE INSTRUCTIONS

UNPACK THE FOUNTAIN

YOU SHOULD HAVE RECEIVED THE FOLLOWING PARTS:
 FOUNTAIN BODY, OIL CANISTER, LAMP COVER, PUMP
 COVER, LAMP CAP WITH CHAIN, WHITE SAND, RAKE,
 DECORATIVE RIVER STONES, PUMP AND TRANSFORMER.

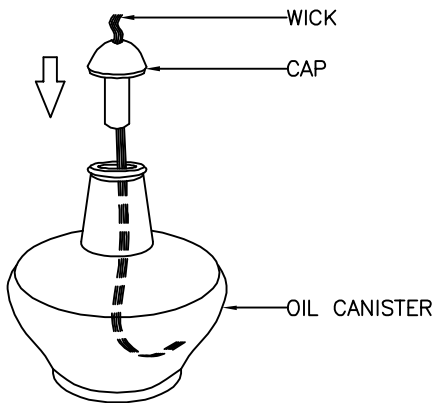
FOUNTAIN ASSEMBLY

1. ATTACH PUMP TO THE RUBBER HOSE, THEN
 PLACE PUMP COVER INTO RESERVOIR, MAKE
 SURE THE PUMP SITS FLAT IN RESERVOIR.

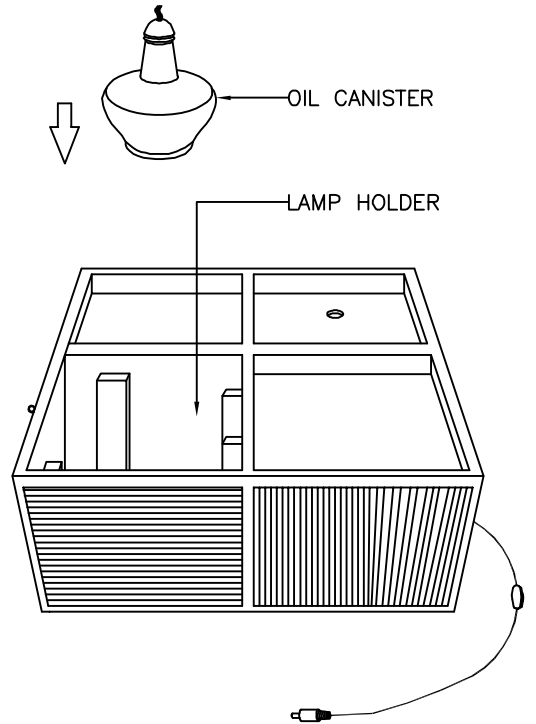


2. FILL OIL CANISTER WITH OIL/ALCOHOL
 (NOT INCLUDED) AT LESS THAN 2/3 AND
 MORE THAN 1/4 CAPACITY OF THE LAMP,
 THEN COVER THE OIL CANISTER WITH CAP.

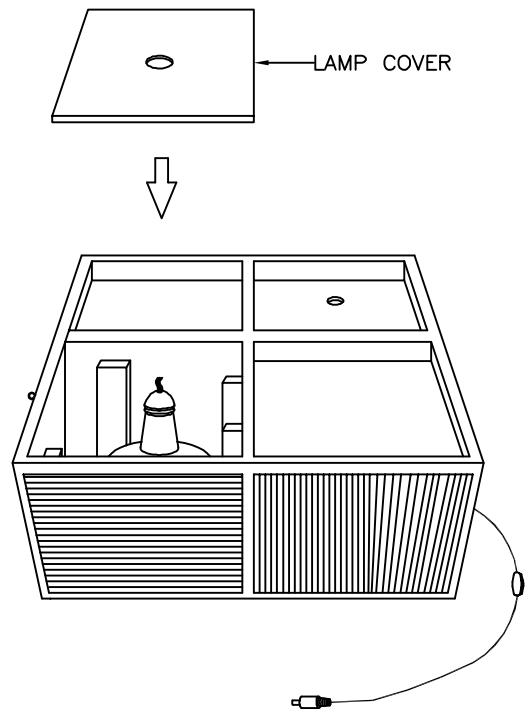
**IMPORTANT NOT: DO NOT FILL OIL/ALCOHOL
 INTO THE OIL CANISTER WHEN IT LIGHTS.**



3. PLACE OIL CANISTER INTO LAMP HOLDER.



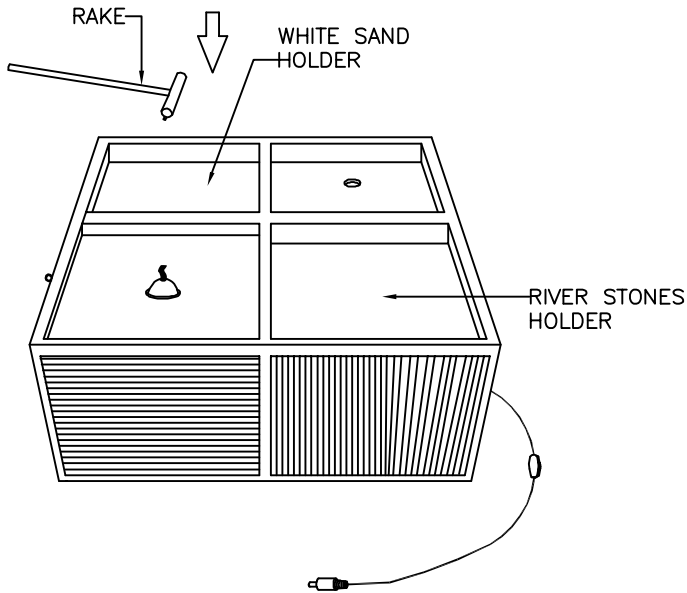
4. COVER THE LAMP HOLDER WITH LAMP
 COVER.



MODEL: 50004BRZ
ASSEMBLY INSTRUCTIONS
READ AND SAVE THESE INSTRUCTIONS

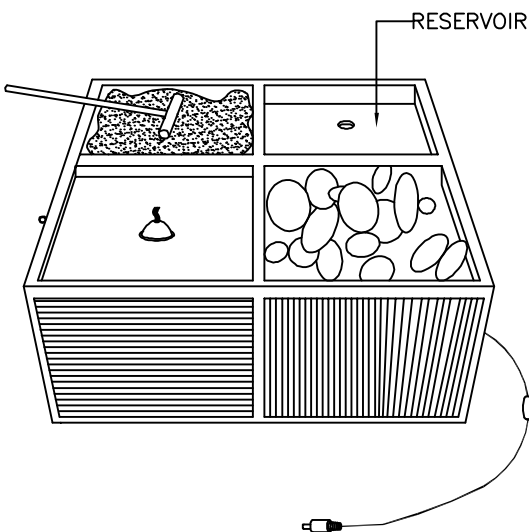
FOUNTAIN ASSEMBLY

5. PLACE DECORATIVE RIVER STONES INTO RIVER STONES HOLDER, THEN PLACE WHITE SAND INTO WHITE SAND HOLDER, YOU CAN MAKE PATTERNS IN THE SAND BY USING THE RAKE.

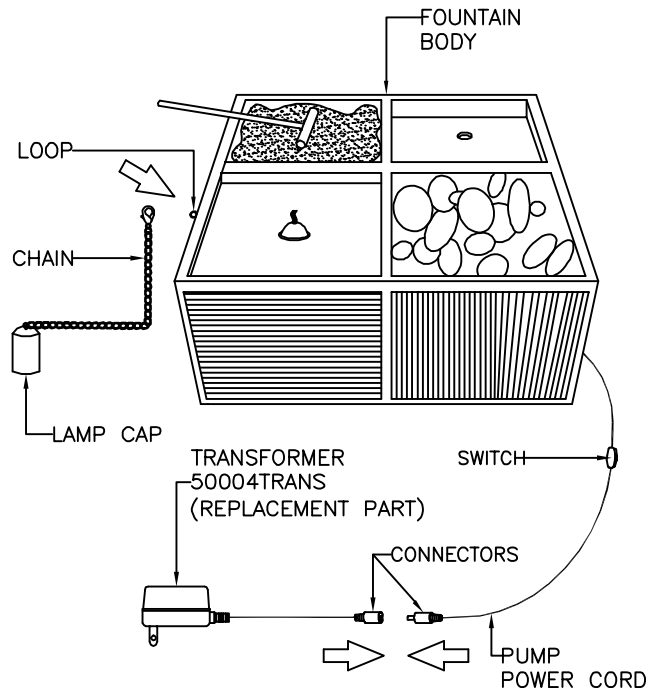


6. FILL RESERVOIR WITH 0.13 GALLONS OF WATER TO COMPLETELY SUBMERSE THE PUMP.

NOTE: DISTILLED WATER IS RECOMMENDED TO REDUCE MINERAL DEPOSITS AND BACTERIA BUILD-UP.



7. ATTACH CHAIN TO LOOP ON SIDE OF THE FOUNTAIN BODY. THEN JOIN THE CONNECTORS TOGETHER.



8. LIGHT THE OIL CANISTER.

IMPORTANT NOT:

* DO NOT LIGHT THE OIL CANISTER WITH ANOTHER OIL CANISTER.
 ** DO NOT BLOW OUT THE OIL CANISTER WITH MOUTH, USE THE LAMP CAP TO PUT OUT OIL CANISTER.

9. PLUG TRANSFORMER INTO OUTLET, YOUR NEW FOUNTAIN IS READY FOR USE.

10. PLEASE SEE NEXT PAGE FOR SAFE USE AND CARE INSTRUCTIONS.

AVAILABLE PARTS ARE:
 50004PMP (PUMP)
 50004TRANS (TRANSFORMER)

MODEL: 50004BRZ
SAFE USE AND CARE INSTRUCTIONS

TROUBLE SHOOTING:

1. IF YOUR FOUNTAIN DOES NOT WORK, CHECK PLUG AT THE SOCKET. MAKE SURE THE PLUG IS FULLY AND PROPERLY INSERTED INTO THE WALL OUTLET.
2. NEXT CHECK TO MAKE SURE THE OUTLET IS POWERED.
3. IF THE FOUNTAIN STILL DOES NOT WORK, PLEASE CONTACT YOUR DISTRIBUTOR OR PLACE OF PURCHASE.

SPLASHING DISCLAIMER:

SPLASHING MAY OCCUR WHEN FOUNTAIN IS INITIALLY TURNED ON. PROTECT SURROUNDING SURFACES AS NEEDED.

IMPORTANT PUMP INFORMATION:

PUMP MUST BE FULLY SUBMERSED IN WATER WHILE OPERATING.

WATER:

TO REDUCE MINERAL DEPOSITS AND BACTERIA BUILD UP THE USE OF DISTILLED WATER IS RECOMMENDED.

WARNING:

* ONCE A WEEK INSPECT FOUNTAIN, FLOOR AND ADJACENT WALL FOR MOISTURE BUILD-UP AND CLEAN AS NECESSARY. THIS IS ESPECIALLY IMPORTANT FOR HUMID ENVIRONMENTS.

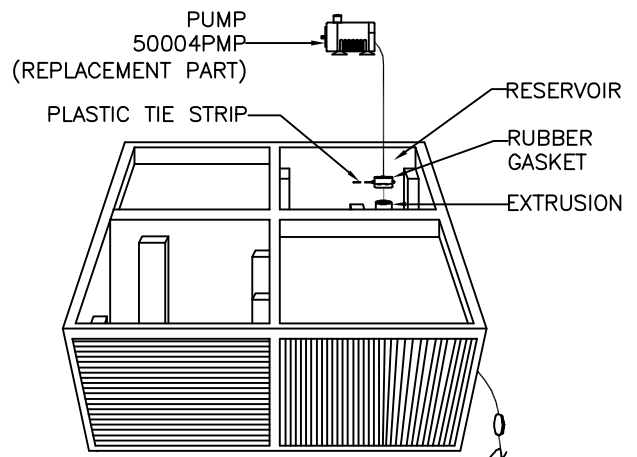
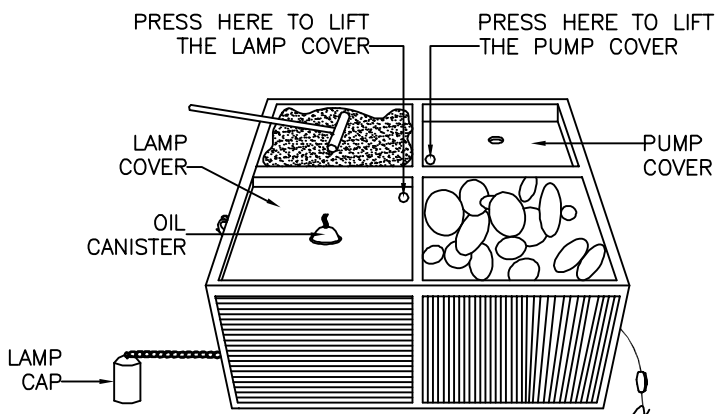
** THIS FOUNTAIN IS RATED FOR INDOOR USE ONLY.

*** THIS UNIT MUST BE CONNECTED TO A SUPPLY CIRCUIT THAT IS PROTECTED BY A GROUND FAULT CIRCUIT INTERRUPTER (GFCI). THE GFCI SHOULD BE TESTED ON A ROUTINE BASIS. TO TEST THE GFCI, PUSH THE TEST BUTTON. THE GFCI SHOULD INTERRUPT POWER. PUSH THE RESET BUTTON. POWER SHOULD BE RESTORED. IF THE GFCI FAILS TO OPERATE IN THIS MANNER, THE GFCI IS DEFECTIVE.

IMPORTANT NOT:

1. CHECK WICK, IF THE WICK HAVE BEEN BURNED OR NEED A SMALL CUT, PLEASE CUT END OF WICK TO GET THE PROPER SHAPE.
2. THE VOLUME OF ALCOHOL SHOULD BE MORE THAN 1/4 AND LESS THAN 2/3 CAPACITY OF THE THE OIL CANISTER.
3. DO NOT FILL OIL/ALCOHOL INTO THE OIL CANISTER WHEN IT LIGHTS.
4. DO NOT TOUCH THE FLAME OF OIL CANISTER.
5. DO NOT LIGHT THE OIL CANISTER WITH ANOTHER OIL CANISTER.
6. DO NOT BLOW OUT THE OIL CANISTER WITH MOUTH, USE THE LAMP CAP TO PUT OUT OIL CANISTER.

AVAILABLE PARTS ARE:
50004PMP (PUMP)
50004TRANS (TRANSFORMER)



PUMP REPLACEMENT:

1. UNPLUG THE FOUNTAIN.
2. TAKE THE OIL CANISTER OUT OF THE FOUNTAIN CAREFULLY AFTER LIFTING THE LAMP COVER.
3. REMOVE DECORATIVE RIVER STONES AND WHITE SAND FROM TOP OF FOUNTAIN.
4. REMOVE PUMP COVER FROM FOUNTAIN TO EXPOSE RESERVOIR.
5. REMOVE ALL WATER FROM RESERVOIR.
6. SNIP THE PLASTIC TIE STRIP.
7. PEEL BACK RUBBER GASKET FROM EXTRUSION.
8. PULL OLD PUMP FROM FOUNTAIN.
9. THREAD CORD FOR NEW PUMP THROUGH EXTRUSION AS SHOWN.
10. PLACE RUBBER GASKET OVER EXTRUSION AND SECURE BY TIGHTENING A NEW PLASTIC TIE STRIP (INCLUDED).
11. REASSEMBLE THE FOUNTAIN WITH NEW PUMP.